



PATCHER

Parts Manual - 56933
Revision B

Fill in the appropriate fields that apply to this machine.

Machine S/N: _____

1st Hose S/N: _____

2nd Hose S/N: _____

1st Pump S/N: _____

2nd Pump S/N: _____

Engine S/N: _____

Compressor S/N: _____

Gear Box S/N (Patcher): _____

Blower S/N (Magnum): _____

Machine Views



Machine Views



Table of Contents

Contents

1.0 About This Manual.....	1-1
2.0 Safety Precautions	2-1
2.1 General Safety.....	2-1
2.2 Personal Safety	2-1
2.3 Equipment or Operational Safety	2-1
2.4 Safety Symbols and Notices	2-2
3.0 Limited Warranty	3-1
3.1 Warranty Claim Instructions.....	3-2
4.0 Machine Specifications	4-1
5.0 Operating Instructions.....	5-1
5.1 Introduction.....	5-1
5.2 Preparing the Machine for Start Up.....	5-1
5.3 Starting the Burner.....	5-5
5.4 Loading Material into Material Tank	5-7
5.5 Dispensing the Material	5-8
5.6 Shutting Down and Cleaning Out the Machine.....	5-9
5.7 Storing the Machine.....	5-9
5.8 Hot Applied Patching Material Placement	5-10
5.9 Application Steps.....	5-10
6.0 Maintenance Instructions	6-1
6.1 Engine	6-1
6.2 Hydraulic System.....	6-1
6.3 Heat Transfer Oil	6-1
6.4 Mixer Packing Gland Seals.....	6-1
6.5 Mixer Shaft Bearings	6-1
6.6 Material Sensor Tube	6-1
6.7 Lug Nuts (If Equipped).....	6-1
6.8 Wheel Bearing (If Equipped).....	6-2
6.9 Brakes (If Equipped).....	6-2
6.10 Tongue Jack (If Equipped).....	6-2
6.11 Temperature Control Calibration.....	6-2
6.12 Maintenance Chart	6-3
6.13 Service Instructions	6-4

Table of Contents

6.14 Recommended Fluids and Lubricants	6-4
6.15 General Maintenance Parts	6-4
6.16 Recommended Spare Parts	6-5
6.17 Applicable Brands of Heat Transfer Oil	6-5
6.18 Typical Heat Transfer Oil Specifications.....	6-6
6.19 Adjusting the Discharge Gate	6-6
6.20 Adjusting and Replacing Mixer Shaft Packing	6-7
7.0 How to Use a Multimeter.....	7-1
7.1 Checking DC Voltage with a Multimeter	7-1
7.2 Checking AC Voltage with Multimeter	7-1
7.3 Checking Resistance (Ohms)	7-1
7.3.1 How to Check Wire Continuity	7-1
7.3.2 How to Check RTD Sensor.....	7-1
7.4 Checking Amperage	7-2
8.0 Troubleshooting.....	8-1
8.1 Burner Troubleshooting	8-1
8.1.1 Symptom: Burner will Not Ignite.....	8-1
8.2 Testing the DC Controller.....	8-8
8.3 Burner Troubleshooting	8-8
8.4 Ignition Coil Troubleshooting.....	8-9
8.5 Bleeding the Diesel Burner	8-9
8.6 Smoke Coming Out of the Exhaust Stack	8-10
8.7 Burner Electrode Adjustment	8-11
8.8 Burner Air Settings.....	8-11
8.9 Material is Heating Slowly	8-12
8.10 Mixer Troubleshooting	8-12
8.10.1 Symptom: Mixer Does Not Rotate.....	8-12
8.11 Mixer Hydraulic Troubleshooting.....	8-16
8.12 Hydraulic Schematic	8-18
8.13 RTD Sensor Ohms vs. Temperature	8-19
9.0 About the Illustrated Parts List	9-1
9.1 Ordering Crafcoc Parts	9-1
9.2 Patcher I Parts List.....	9-2
9.3 Hydraulic Schematic and Parts List.....	9-8



Patcher I Part Manual

Table of Contents

9.4 Diesel Burner Parts List	9-12
9.5 Control Box Parts List	9-14
10.0 Tools and Accessories.....	10-1

List of Figures

Figure 5.1 Hydraulic and Diesel Fill Caps	5-2
Figure 5.2 Hydraulic Fluid Level and Temp Gauge	5-2
Figure 5.3 Heat Transfer Oil Dipstick	5-3
Figure 5.4 Discharge Gate	5-4
Figure 5.5 Mixer Control Switch	5-4
Figure 5.6 Mixer Bearings	5-5
Figure 5.7 Control Area	5-6
Figure 5.8 Control Panel	5-6
Figure 5.9 By-Pass Valves	5-8
Figure 6.1 Lug Bolt Tightening Sequence	6-1
Figure 6.2 Temperature Control Calibration	6-2
Figure 7.1 Standard Multimeter	7-2
Figure 7.2 Clamp-On Amp Meter/Multimeter	7-3
Figure 8.1 Electrical Schematic (P/N 26564)	8-7
Figure 8.2 Diesel Burner Air Settings	8-11
Figure 8.3 Diesel Burner Electrode Adjustment	8-11
Figure 8.4 Checking Din Plug Voltage	8-15
Figure 8.5 Hydraulic Pressure Adjustment Location	8-17
Figure 8.6 Din Plug Layout	8-17
Figure 8.7 Hydraulic Schematic (P/N 26565)	8-18
Figure 9.1 Top and Side View	9-2
Figure 9.2 Rear and Section View	9-4
Figure 9.3 Top Section View	9-6
Figure 9.4 Optional Trailer Assembly (P/N 56202)	9-7
Figure 9.5 Hydraulic Schematic (P/N 26565)	9-8
Figure 9.6 Diesel Burner	9-12
Figure 9.7 Control Box Parts List	9-14

List of Tables

Table 2-1 Safety Symbols and Notices	2-2
Table 2-2 Safety Symbols and Notices (continued)	2-3
Table 2-3 Risk Analysis Chart	2-4
Table 4-1 Machine Specifications	4-1
Table 5-1 Preparing the Machine for Start Up.....	5-1
Table 5-2 Starting the Burner	5-5
Table 5-3 Loading Material into the Material Tank	5-7
Table 5-4 Dispensing the Material	5-8
Table 5-5 Shutting Down and Cleaning Out the Machine	5-9
Table 5-6 Application Steps.....	5-10
Table 5-7 Application Steps (continued)	5-11
Table 6-1 Maintenance Chart	6-3
Table 6-2 Service Instructions	6-4
Table 6-3 Recommended Fluids and Lubricants.....	6-4
Table 6-4 General Maintenance Parts	6-4
Table 6-5 Recommended Spare Parts.....	6-5
Table 6-6 Applicable Brand of Heat Transfer Oil.....	6-5
Table 6-7 Typical Heat Transfer Oil Specifications	6-6
Table 6-8 Adjusting the Discharge Gate	6-6
Table 6-9 Adjusting and Replacing Mixer Shaft Packing.....	6-7
Table 8-1 Burner Basic Visual Troubleshooting	8-1
Table 8-2 Burner Electrical Troubleshooting	8-2
Table 8-3 Testing the DC Controller	8-8
Table 8-4 Burner Troubleshooting	8-8
Table 8-5 Ignition Coil Troubleshooting	8-9
Table 8-6 Bleeding the Diesel Burner	8-9
Table 8-7 Smoke Coming Out of the Exhaust Stack.....	8-10
Table 8-8 Material is Heating Slowly.....	8-12
Table 8-9 Mixer Basic Visual Troubleshooting	8-12
Table 8-10 Mixer Basic Visual Troubleshooting (continued)	8-13
Table 8-11 Mixer Electrical Troubleshooting	8-13
Table 8-12 Mixer Electrical Troubleshooting (continued)	8-14
Table 8-13 Mixer Electrical Troubleshooting (continued)	8-15
Table 8-14 Mixer Hydraulic Troubleshooting.....	8-16
Table 8-15 RTD Sensor Ohms vs. Temperature.....	8-19
Table 9-1 Top and Side View Parts List.....	9-3
Table 9-2 Rear and Section View Parts List	9-5
Table 9-3 Top Section View.....	9-6



Patcher I Part Manual

List of Tables

Table 9-4 Optional Trailer Assembly	9-7
Table 9-5 Hydraulic Parts List	9-9
Table 9-6 Hydraulic Parts List (continued)	9-10
Table 9-7 Diesel Burner Parts List	9-13
Table 9-8 Control Box Parts List	9-15

Chapter 1 Introduction

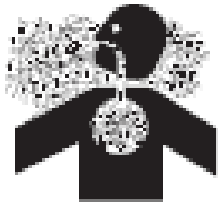
1.0 About This Manual

This manual is supplied with each new Crafcop Patcher I. The manual assists your machine operators in the proper use of the Patcher I and provides information about the machine's mechanical functions.

Your Crafcop Patcher I is specially made to give excellent service and save maintenance expense. However, as with all specially engineered equipment, you will get the best results at minimum cost if you:

- Operate your machine as instructed in this manual.
- Maintain your machine regularly as stated in this manual.

Note: This manual is formatted to start each new chapter on the right page. There may be a blank page on the left page if the previous chapter ends on the right page.



WARNING

California Proposition 65 Warning

Engine exhaust and some of its constituents are known to the State of California to cause cancer, birth defects, and other reproductive harm. Always use care to avoid breathing engine exhaust. Failure to comply could result in death or serious injury.

Chapter 2 Safety Precautions

2.0 Safety Precautions

For more in-depth safety information, please see Safety Manual (PN 26221) which comes with the machine. Or contact your nearest authorized Crafcro Distributor at crafcro.com/Distributors.

2.1 General Safety

- Crafcro, Inc. assumes no liability for an accident or injury incurred through improper use of the machine.
- Read this manual thoroughly before operating the machine.
- Obey all CAUTION and WARNING signs posted on the machine.
- Make sure an operator fully knows how to operate the machine before using the machine.

2.2 Personal Safety

- The high operating temperatures of this machine and the material it contains requires that protective clothing, gloves, hard-soled shoes, and safety glasses or a face shield be worn at all times by operators of the machine.
- Prevent water from going into any part of the machine. If there is indication of water in the heat transfer oil system, warm heating oil to 250-300°F for 2 to 3 hours.
- Bodily contact with hot material or heat transfer oil can cause severe burns.
- If the mixer is not stopped before adding solid material, hot material can get on an operator's body and cause severe burns.
- Keep hands, feet, and clothing away from all moving parts.

2.3 Equipment or Operational Safety






- Do not operate the machine in buildings or work areas that do not have sufficient airflow.
- Shut down the burner and the engine before refilling the fuel tank.
- Make sure the mixer stops before adding solid material to the material tank. Lift the lid, place the material on the lid and close the lid. The mixer should start automatically.
- Always keep a correctly maintained fire extinguisher near the machine and know how to use it.
- DO NOT heat transfer oil to a temperature of more than 525°F.
- DO NOT put too much heat transfer oil in the reservoir. The expansion of oil while it heats up can cause overflow. With the machine on level ground, check the oil each day before starting the burner. Add oil to the top mark on the dipstick if required (at 70°F). Use only recommended heat transfer oil. Change the oil after 500 hours of machine operation, or one year, whichever comes first.
- Follow the operating instructions for starting and shutting down the burner.
- Calibrate the temperature control knobs after each 50 hours of machine operation. Refer to [Figure 6.2 Temperature Control Calibration](#)
- Replace any hoses which show signs of wear, fraying or splitting.
- Make sure all fittings and joints are tight and do not leak each time the machine is used.
- Do not leave the machine unattended while the burner is lit.
- Tighten all bolts and screws every 100 hours of machine operation.

Chapter 2 Safety Precautions

2.4 Safety Symbols and Notices







Important safety symbols and notices are marked on the machine and in this manual. Failure to comply could result in equipment damage, operational malfunction, serious injury, or death. Please read and comply with all symbols and notices. The table below includes the most commonly used symbols and notices.

Table 2-1 Safety Symbols and Notices

Symbol	Item	Remarks
WARNING	Warning	Refers to possible bodily injury or death.
CAUTION	Caution	Refers to possible equipment damage or operational malfunction.
	Severe Burn Hazard	Hot material can cause severe burns.
	Protective Shoes	Wear hard-soled work shoes.
	Protective Gloves	Wear heat resistant gloves.
	Protective Face or Eye Wear	Wear face shield or safety glasses.
	Body Crush Hazard	Do not stand between trailer and hitch when hooking melter to truck.

Chapter 2 Safety Precautions

Table 2-2 Safety Symbols and Notices (continued)

Symbol	Item	Remark
	Crush Hazard	Keep feet and legs clear.
	Pinch Hazard	Keep hands and feet clear.
	Moving Machinery	Never reach into moving machinery.
	Exhaust Hazard	Avoid breathing engine exhaust.
	Noise Hazard	Ear protection is advisable.
	Read Manual	Read and understand operator and safety manuals before operating machine.

Chapter 2 Safety Precautions

2.5 Risk Analysis Chart

Table 2-3 Risk Analysis Chart

Job Steps	Potential Hazards	Protective Measures
Filling Fuel Tank.	<ul style="list-style-type: none"> Risk of fire 	<ul style="list-style-type: none"> Shut down the machine and burner before filling. Do not overfill the tank. Keep a maintained fire extinguisher near the machine.
Heating Machine.	<ul style="list-style-type: none"> Severe burn hazard Fire hazard due to Heat Transfer Oil Expansion Exhaust hazard Noise hazard 	<ul style="list-style-type: none"> Worker required to wear PPE. Interlock devices to not allow machine to go beyond a maximum temperature. Not overfill Heat Transfer Oil. Do not leave machine unattended while machine is running. Keep a maintained fire extinguisher near the machine. Run machine in open area, and do not stand near exhaust outlet.
Adding Material to the Machine.	<ul style="list-style-type: none"> Severe burn hazard Moving machinery inside of material mixing tank 	<ul style="list-style-type: none"> Worker required to wear PPE and take care when loading machine. Do not drop material into tank directly. Use lid to load material. Do not put hands, feet, or tools into the mixing tank.
Dispensing Material from the Machine.	<ul style="list-style-type: none"> Severe burn hazard 	<ul style="list-style-type: none"> Worker required to wear PPE and take care to not get burned.

Chapter 3 Warranty Information

3.0 Limited Warranty

Crafco, Inc., through Crafco or one of its affiliated distributors, will replace for the original purchaser free of charge any parts found upon examination by the factory at Chandler, Arizona, to be defective in material or workmanship. This warranty is for a period of one year from the in-service date, but excludes engine or components, tires, and battery as these items are subject to warranties issued by their manufacturers.

Crafco, Inc. shall not be liable for parts that have been damaged by accident, alteration, abuse, improper lubrication/maintenance, normal wear, or other cause beyond our control.

The warranty provided herein extends only to the repair and/or replacement of those components on the equipment covered above and does not cover labor costs. The warranty does not extend to incidental or consequential damages incurred as a result of any defect covered by this warranty.

All transportation and labor costs incurred by the purchaser in submitting or repairing covered components must be borne by the purchaser. Crafco, Inc. specifically disavows any other representation, warranty, or liability related to the condition or use of the product

CAUTION

Use of replacement parts other than genuine Crafco parts may impair the safety or reliability of your equipment and nullifies any warranty.

Chapter 3 Warranty Information

3.1 Warranty Claim Instructions

Crafco, Inc. warrants parts and machinery purchased through Crafco or one of its affiliated distributors for one year from purchased or in-service date**. If parts fail to function within the first year of purchase, a return authorization number (RA) must be obtained. If the part was purchased through Crafco, Inc., please contact Crafco returns department at [Returns@Crafco.com](mailto>Returns@Crafco.com) for an RA number or if purchased through a Crafco distributor please contact your distributor. Note: if the part has a serial number associated with it, for example; a machine or electric hose or wand, this must be furnished when requesting the RA number. The customer will be emailed or faxed an RA form with all instructions to return the item to Crafco, Inc. See example. If the part is found to be within the one year warranty period and has not been abused or modified, a credit will be issued to the customer's account or credit card. The customer may request the part be replaced instead of receiving a credit, if desired.

**Wear items are not covered under Crafco, Inc. limited warranty. A wear item is defined as but not limited to: material pumps, sealing tips, tires, etc.

Note: All engine warranties are covered through the engine manufacturer. If you need information for a distributor in your area please contact us and we will direct you to the closest engine distributor.

All parts returned are tested and evaluated. If the part has been modified in any way without prior consent from a Crafco, Inc. representative; the warranty is void.

Please follow the instructions stated below when calling in a Warranty Claim. Failure to follow these procedures may be cause to void the warranty.

Call your local Crafco Distributor. If you do not know who your local distributor is, call a Crafco Customer Service Representative, (Toll Free 1-800-528-8242) for name, location and telephone number.

On contacting the distributor, be prepared to identify the serial number, model number, engine number, engine manufacturer, and the date of purchase if available.

Should the cause of the malfunction be a defective part, the Distributor will advise you of the procedure to follow for a replacement.

The warranty is valid only for parts, which have been supplied or recommended by Crafco, Inc.

If you have any additional questions regarding warrant repairs and parts, please do not hesitate to call toll free 1-800-528-8242.

For Warranty:

Crafco, Inc.

25527 South Arizona Avenue, Chandler, AZ
85248

Phone: (480) 655-8333 or (800) 528-8242

Fax: (480) 655-1712

For all other inquires:

Crafco, Inc.

6165 West Detroit Street, Chandler, AZ
85226

Phone: (602) 276-0406 or (800) 528-8242

Fax: (480) 961-0513

CustomerService@crafco.com

Chapter 4 Machine Specifications

4.0 Machine Specifications

Table 4-1 Machine Specifications

Specification	PN 56900
Vat capacity	95 gallons
Heat transfer oil required	17 gallons at 70°F
Tank construction	Double boiler type
Tank opening size	2 openings 14.25" x 17.88"
Maximum heat input	246,000 BTUs
Burner and temperature control	Diesel-forced air thermostatic control
Engine Kohler Diesel	Single cylinder Model KD420 9.1HP
Drive Mechanism	All hydraulic with 2 speed forward and reverse action
Mixer	Horizontal shaft with 4 sweep paddles
Dry Weight	Approximately 3,000 lbs.
Diesel Tank Capacity	6.8 Gallons
Hydraulic Tank Capacity	12.8 Gallons
Optional Trailer Specification	PN 56202
Additional Weight of Trailer	Approximately 900 lbs.
Axle Capacity	Dual 3,500 lbs.
Tires	ST205/75R14, Load Range C

Chapter 5 Operating Instructions

5.0 Operating Instructions


5.1 Introduction

The Crafcro Patcher I was developed to melt Crafcro TechCrete, Mastic One, Matrix 501 and PolyPatch products.

Note: DO NOT attempt to operate the machine without using these and all other instructions.

5.2 Preparing the Machine for Start Up

Table 5-1 Preparing the Machine for Start Up

Step	Action
1	Fill the engine fuel tank with diesel fuel. Note: Refer to the manufacturer’s instruction manual for more specifications on fuel requirements.
2	Check the oil level in the engine crankcase. Refer to the manufacturer’s instruction manual for the engine.
3	Check the hydraulic fluid level while at a temperature of 70°F. Add fluid if necessary. See Figure 5.2 Hydraulic Fluid Level and Temp Gauge .
4	With the machine on level surface, check the heat transfer oil level while at a temperature of 70°F. The oil should be at the full mark on the dipstick. DO NOT overfill or spillage may occur when the oil is heated and expands. See Figure 5.3 Heat Transfer Oil Dipstick
5	Make sure discharge gate is in the closed position. See Figure 5.4 Discharge Gate
6	Place the mixer control switch in the neutral position. See Figure 5.5 Mixer Control Switch
7	Make sure all toggle switches are turned “OFF” and all temperature control dials are set to their minimum settings.
8	Grease mixer bearings weekly. See Figure 5.6 Mixer Bearings
WARNING	
	<p>The safe operation of this machine is the operator’s responsibility.</p> <p>Use extreme care when operating this machine; safety is the result of being careful and paying attention to details. Remember the propane flame is approximately 2,200°F. Some exposed parts of the machine reach 500°F, the material 400°F, and the hydraulic fluid 200°F.</p> <p>Always put on protective clothing, gloves, hard-soled shoes, and safety glasses or a face shield. Be sure that all joints and fittings are tight and leak proof. Immediately replace any hose, which shows any signs of wear, fraying, or splitting. Tighten all bolts, nuts, and screws every 100 hours.</p>

Chapter 5 Operating Instructions

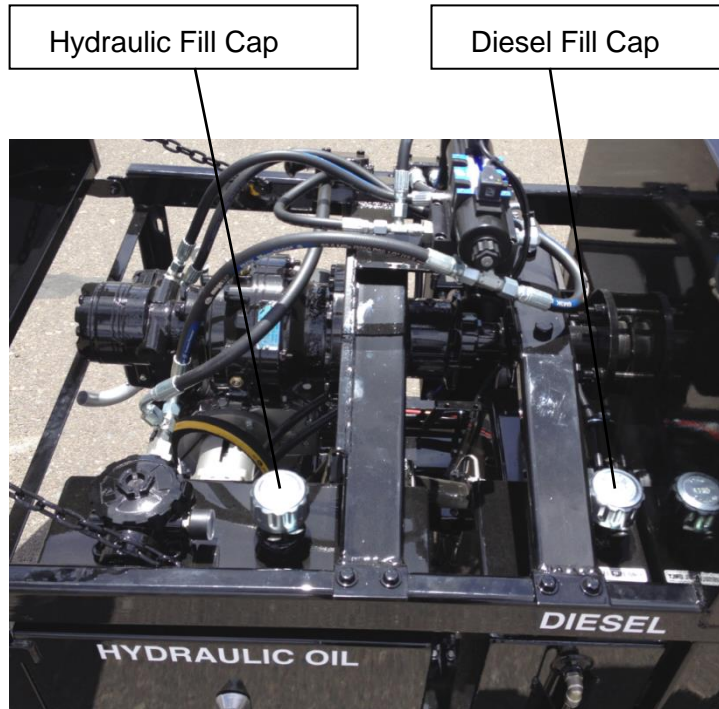


Figure 5.1 Hydraulic and Diesel Fill Caps

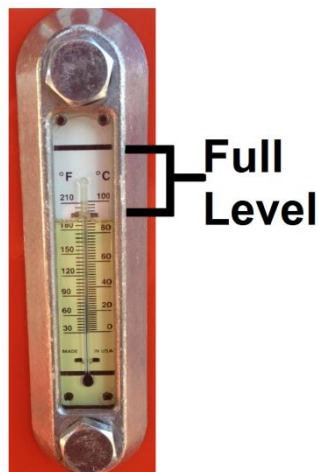


Figure 5.2 Hydraulic Fluid Level and Temp Gauge

Chapter 5 Operating Instructions



Figure 5.3 Heat Transfer Oil Dipstick

Chapter 5 Operating Instructions



Figure 5.4 Discharge Gate



Mixer Control Switch

Figure 5.5 Mixer Control Switch

Chapter 5 Operating Instructions

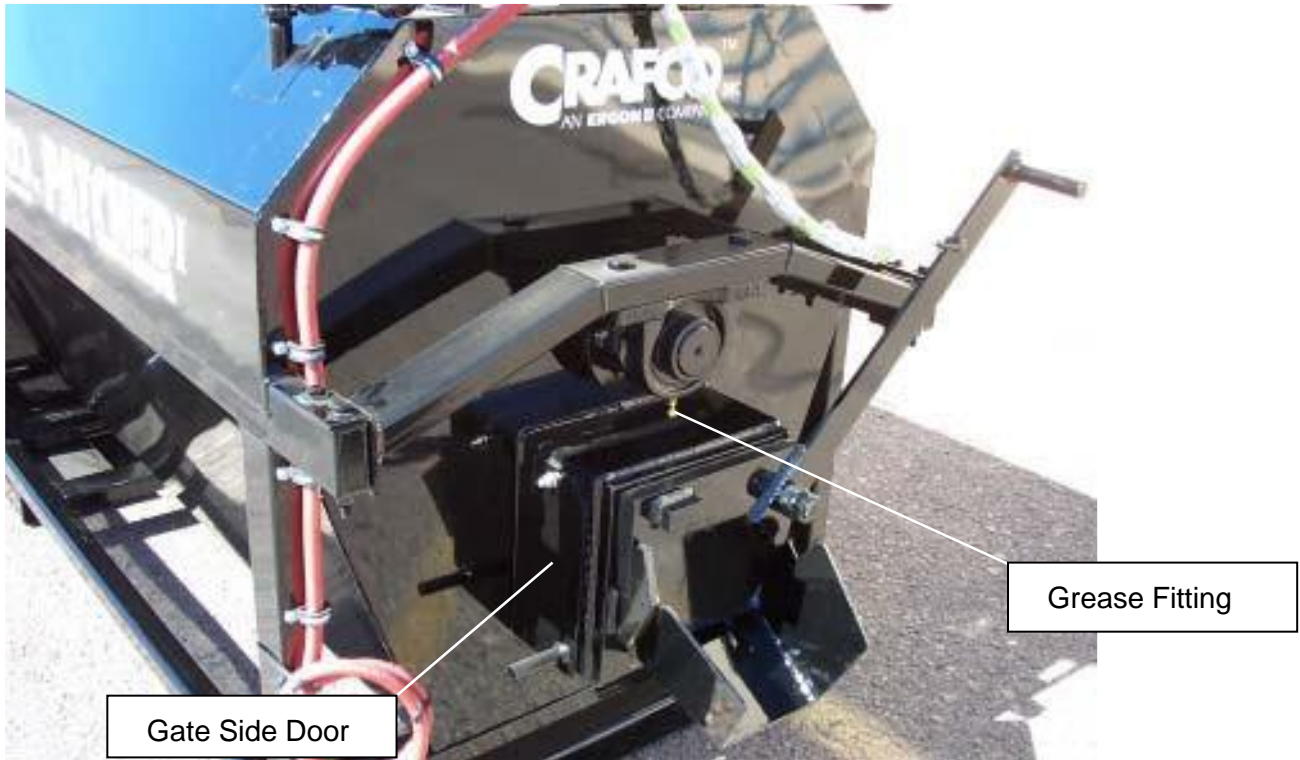


Figure 5.6 Mixer Bearings

5.3 Starting the Burner

Table 5-2 Starting the Burner

Step	Action
1	Fully open the exhaust stack cover.
2	Start the engine. (Refer to the manufacturer’s instructions for the engine). Leave at idle for a few minutes. Move throttle lever to set engine speed. See Figure 5.7 Control Area
3	Turn the “POWER” toggle switch in the control box to the “ON” position.
4	Set the heat transfer oil temperature at 525°F. See Figure 5.8 Control Panel
5	Set the material temperature to the manufacturer’s recommended temperature.
	CAUTION
	If the burner does not ignite the first time, turn the “POWER” toggle switch to the “OFF” position. Turn the toggle switch to “ON” again; the burner should ignite. If the burner still does not ignite, refer to Table 8-1 Burner Basic Visual Troubleshooting to determine the cause of the malfunction.
	Important: The solid material in the tank melts first around the walls and bottom of the tank. The material temperature sensor is located by the wall, therefore, it is possible that at the beginning of the melting process the indicated temperature reaches operating value, but the material closer to the center of the tank is still solid. This is normal.
6	Allow the heat transfer oil to continue to heat.

Chapter 5 Operating Instructions

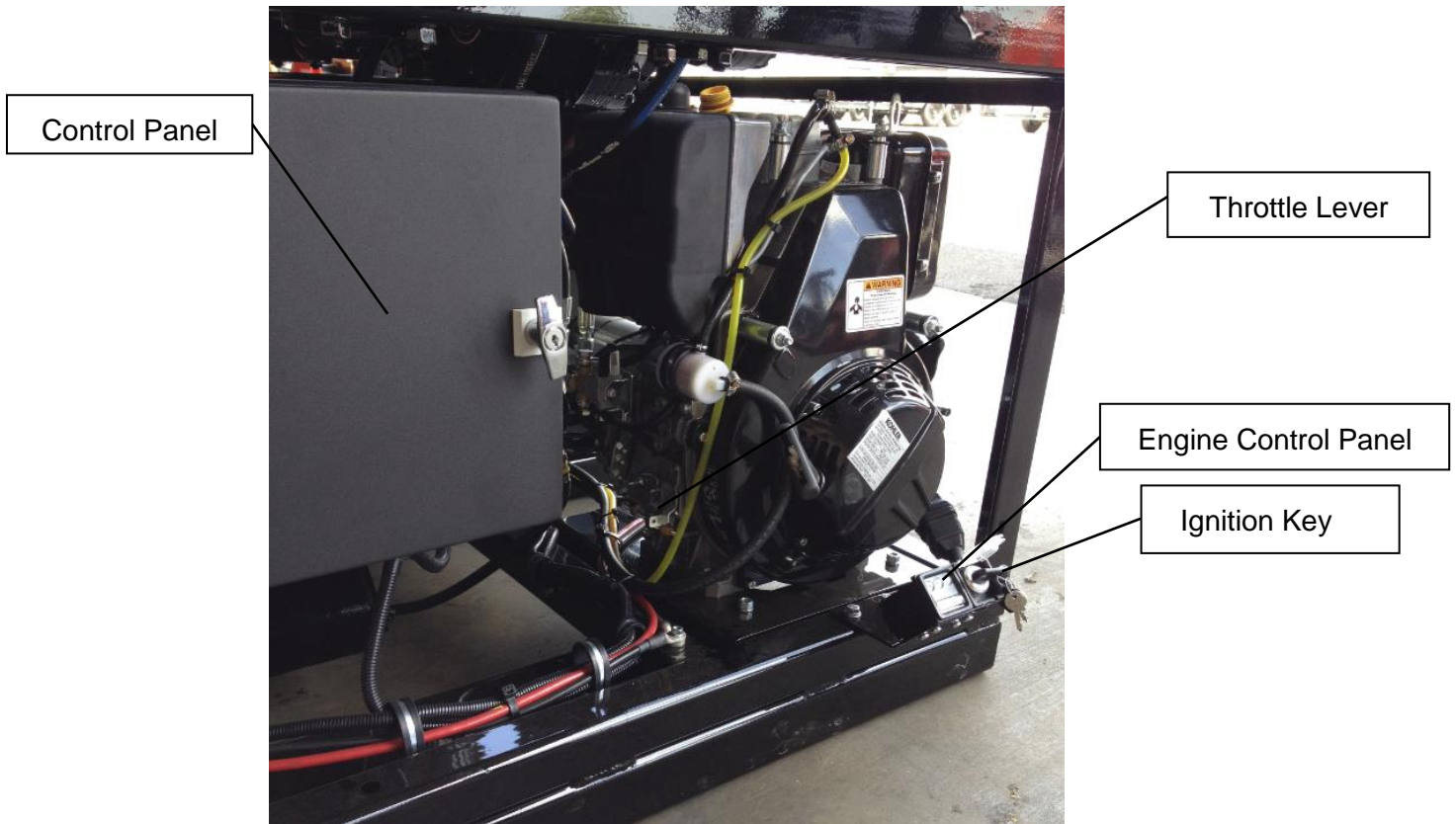


Figure 5.7 Control Area

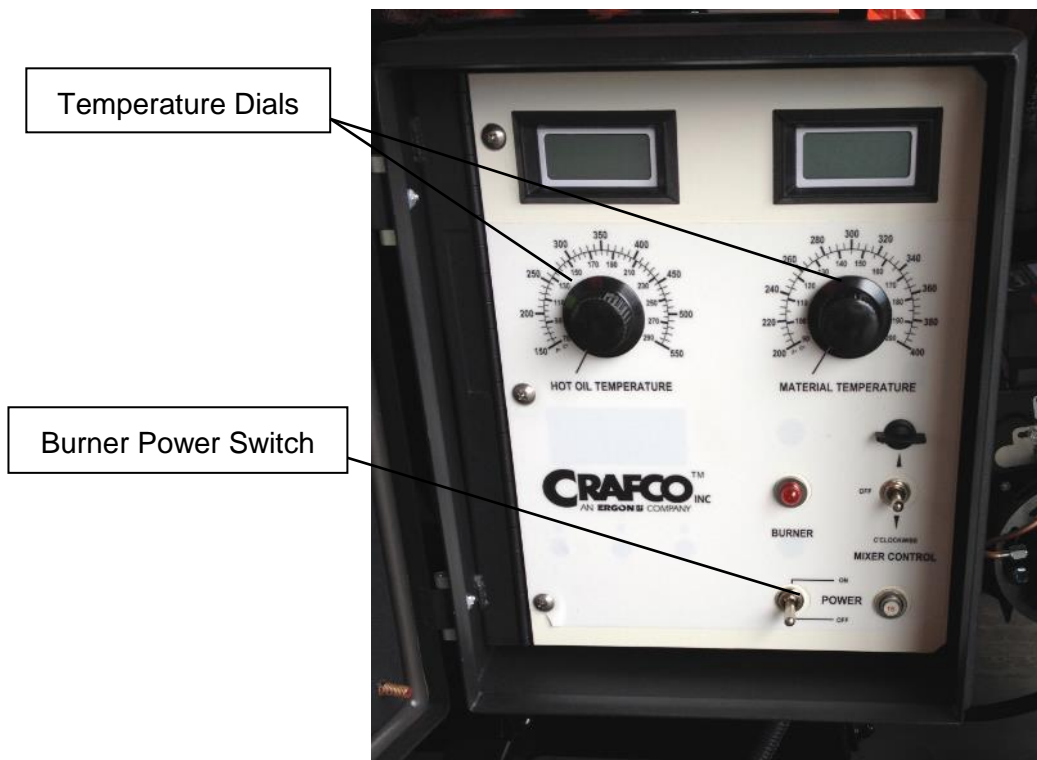


Figure 5.8 Control Panel

Chapter 5 Operating Instructions


5.4 Loading Material into Material Tank

This unit is equipped with a safety interlock system on the loading doors. This system disables the mixer hydraulic system when the lid is open. This is a safety feature for the operator and should never be disabled for any reason. **Note:** Units with the European Spec are not equipped with this system.

CAUTION

Personal injury could occur if this safety system is disabled.

Table 5-3 Loading Material into the Material Tank

Step	Action
	WARNING
	Following this procedure prevents hot material from getting on operators and causing severe burns.
1	To load material into the material tank, first open the lid. Note: The mixer stops when the lid is opened to load solid material into the material tank. European Spec units need to manually stop the mixer before opening the lid.
2	Place the solid material on the lid, then close the lid.
3	Engage the mixer by moving the Mixer Control Switch to forward or reverse rotation. When changing the speed of mixing, move both bypass hydraulic valves simultaneously.
	Note: If blocks of solid material are added too quickly, jamming results and slows down the melting process. The mixer control switch can be moved for opposite rotation.
4	The speed of mixing is controlled by the position of the 2 by-pass hydraulic valves. See Figure 5.9 By-Pass Valves The valves should be moved together (either in or out) not one at a time. The minimum amount of material needed for proper mixer operation is 400 lbs.
5	Allow the mixer to continually rotate as you add blocks, and while the machine is in use. It will help keep the aggregate suspended in the mixture. Note: If you don't run the mixer, the aggregate will settle to the bottom and produce low quality patches.
	CAUTION
	A block of material could cause the lid to open while it is mixing. If this happens, it will automatically stop the mixer. You will need to open the lid and use a scraping tool to push it back down in the tank. You may need to change the direction of the mixer using the control switch so it pulls the block back down into the tank after the lid is closed.

Chapter 5 Operating Instructions

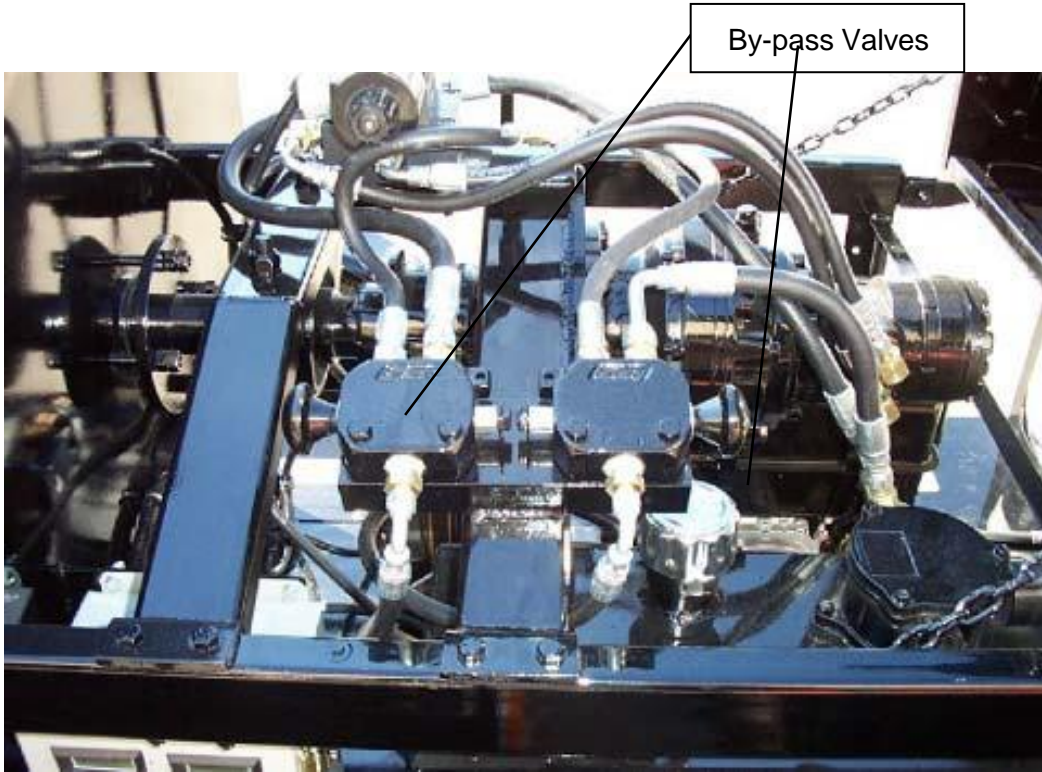



Figure 5.9 By-Pass Valves

5.5 Dispensing the Material

Table 5-4 Dispensing the Material

Step	Action
WARNING	
	<p>Put on protective clothing, gloves, hard-soled shoes, and face shield or safety glasses when operating or filling this machine. Read the entire manual before operating the machine.</p> <p>Hot material can cause severe burns.</p>
1	<p>Allow the material to reach proper operating temperatures according to the manufacturer. Ensure the mixture is fully melted and mixed thoroughly. Draw off material by moving the handle down on the discharge gate.</p>
<p>Important: The material temperature sensor is located by the wall where the heat is coming from. Because of this factor, the material temperature readout on the control panel could be reading higher than what the majority of the material is actually at. The readout should only be used as a guide. A hand held non-contact infrared thermometer should be used on a sample of dispensed material to determine if appropriate application temperature has been achieved. If the application temperature has not been reached, continue heating until it does.</p>	

Chapter 5 Operating Instructions


Table 5-4 Dispensing the Material (continued)

Step	Action
2	To help speed up pour time, you can open the Gate Side Door and heat with a hand torch to help heat the discharge pipe. Drain material into the patch, pour bucket, shoebox or Hot Mastic Applicator.
3	Remove excess patching material from chute with scraping tool.

5.6 Shutting Down and Cleaning Out the Machine

When shutting down the machine for the day, Crafco recommends emptying all, if not most of the material before shutting down the machine. It will result in faster start up times in the morning, help keep the aggregate from settling at the bottom, and offer better material performance by using fresh material.

Table 5-5 Shutting Down and Cleaning Out the Machine

Step	Action
1	Turn burner toggle switch to "OFF"
2	Return mixer hydraulic switch to "OFF" position.
3	Turn off engine by turning off the key.
4	Drain un-used material out of discharge gate.
	WARNING
	DO NOT put the tank scraper tool into the discharge pipe with mixer running. Serious damage and personal injury will result.
5	Periodically, you will want to use the tank scraper tool to clean out old material from the bottom of the tank.

5.7 Storing the Machine

Store the machine in an area where moisture cannot enter the heating system, i.e. the hot oil tank, etc. Extended down time can cause moisture to build up in the heating tank.

Evidence that moisture has collected in the heat transfer oil is a constant popping noise. If this popping noise is heard, warm the heat transfer oil to 300°F for two to three hours to evaporate the moisture. Failure to follow this procedure will cause the heat transfer oil to overflow the tank, resulting in possible machine damage and/or personal injury.

Before initial startup after storing the machine for an extended period of time, Crafco recommends to check the material tank and remove any water/moisture that may have collected. Then heat the material to 300°F for two to three hours to evaporate any moisture that could be left in the material tank, even if none was noticed upon inspection. Failure to follow this procedure will cause the material to overflow the tank, resulting in possible machine damage and/or personal injury.

Store the machine for longer periods with the material tank empty.

Chapter 5 Operating Instructions

5.8 Hot Applied Patching Material Placement

Prior to the material application, you will need to move the equipment to the work area. The items needed are:

1. Compressor
2. Saw to cut out repair area
3. Pneumatic hammer
4. Broom and shovels to clean up area
5. Broom or sweeper (if required to remove FOD)
6. Patcher I machine, material, and application tools
7. Dressing stone
8. Heat lance
9. Primer
10. "Hudson" sprayer for the primer
11. Paint brushes
12. Small paint cans
13. Rags
14. 1 or 2 gallons of water (to speed up cooling process if required)
15. Gloves, heavy welder gloves and standard leather gloves
16. Cloth duct tape
17. Reference materials

5.9 Application Steps

Table 5-6 Application Steps

Step	Action
1	Locate area to be repaired.
2	Calculate the amount of material needed for the repairs.
3	Place bags of material in the mixer and heat. Start the agitator as soon as possible to break up the bags. The heat up time is usually within 60-90 minutes. Care should be taken not to overheat the material. If material temperature is too high, lower the burner material temperature control and/or open the lid
4	Mark the areas to be cut out. Make sure you cut out enough of the pavement to remove all cracking around the patch area. If the repair area extends to both sides of a joint, the repair area must be a minimum of 4" on each side of the joint.
5	Cut with either a wet or dry saw. The saw should cut a minimum of 1-1/2" to 2" deep.
6	Remove the remaining material with a chipping or jack hammer to a minimum depth of 1-1/2 to 2".
7	After the repair area has all the loose material removed, use the hot air lance to clean and dry the pavement.
8	Apply tape 1/4" from the edge of the prepared area.

Chapter 5 Operating Instructions

Table 5-7 Application Steps (continued)

Step	Action
9	Prime the area with the Primer using the “Hudson” sprayer or paint brushes. If spraying the primer on repair areas, you may need to do some touch-up with a paint brush. When touching up, you want to cover any missed spots and spread any pooled primer. Allow the primer to set up, which takes about 10-12 minutes. DO NOT DRY WITH A TORCH.
10	Have the tools needed for the repair heating in the heated box.
11	Heat the discharge gate.
12	Remove at least two pails of product and pour back into the melter. This will ensure a good flow of material when you start the application.
13	Apply the first lift of material to the repair. Apply adequate material so you get material within 1” of surface.
14	Allow the material to cool for a period of time, allowing air bubbles to move to the surface of the product. The bubbles are generated from uncured primer, air, or moisture. When the bubbles stop rising to the surface (usually within 15-20 minutes), flash surface with hand torch to “pop” bubbles.
15	Apply the next level and float surface of the material with the hot irons. Seal the edges of the repair by pulling liquid to the edge, and then remove the duct tape. The main portion of the material will self-level, but you may need to do some smoothing with the hot iron to ensure a level surface.
16	Allow this material to cool similar to the first lift - you may not experience as many bubbles this time but some may appear. When they do, flash them with the torch.
17	If applicable, dry the aggregate dressing prior to placing the material, as wet or damp dressing will not adhere. Smooth the aggregate dressing material over the patched area with your gloved hand. This will ensure coverage of the whole surface of the material.
	CAUTION
	If you applied the aggregate dressing material too soon the bubbles will continue to rise to the surface and pop, leaving a pock marked surface. If this occurs, adjust your timing to allow more bubbles to break the surface.
18	Shut down the Patcher I and clean up the repaired area. If the cooling time of the material needs to be shortened, broadcast some water over the surface.
19	Sweep excess aggregate dressing material from the surface of the repair and finish clean up.

Chapter 6 Maintenance Instructions

6.0 Maintenance Instructions

This chapter contains all normal maintenance instructions to properly maintain your machine.

6.1 Engine

Check oil daily. Service engine per the Kohler owner's manual. See engine owner's manual for additional operating and maintenance instructions.

6.2 Hydraulic System

Check hydraulic fluid daily.

Change hydraulic filter every 250 hours of machine operation.

Change hydraulic fluid every 500 hours of operation.

6.3 Heat Transfer Oil

Check the oil level at the start of every day.

Change the oil every 500 hours of machine operation or 1 year, whichever comes first.

6.4 Mixer Packing Gland Seals

Tighten gland while machine is hot at 40 hr. intervals. Do not overtighten. If material is leaking from the seals, they either need to be tightened or more gland packing added, and then tightened.

6.5 Mixer Shaft Bearings

Lubricate weekly using a good grade of high temperature bearing grease.

6.6 Material Sensor Tube

Check for heat transfer oil in tube every 50 hours of operation. 2 ounces required.

6.7 Lug Nuts (If Equipped)

Torque all nuts/bolts before first road use and after each wheel removal. Check and torque after the first 10 miles, 25 miles, and again at 50 miles. Check periodically thereafter.

Torque in stages as follows:

- First stage 20-25 foot-pound (ft-lb)
- Second stage 50-60 foot pound (ft-lb)
- Third stage 90-120 foot pound (ft-lb)

Tighten bolts and nuts in the sequence shown in [Figure 6.1 Lug Bolt Tightening Sequence](#)

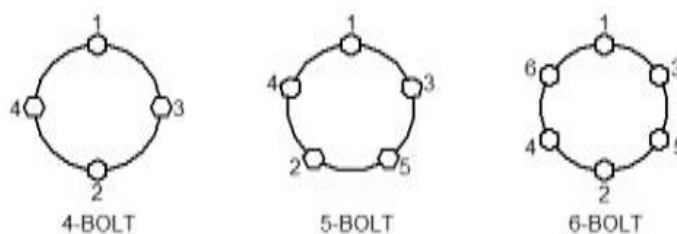


Figure 6.1 Lug Bolt Tightening Sequence

Chapter 6 Maintenance Instructions

6.8 Wheel Bearing (If Equipped)

Pack the wheel bearing every 24,000 miles or every two years, whichever comes first. Use a good grade of bearing grease.

6.9 Brakes (If Equipped)

Check the brakes daily.

6.10 Tongue Jack (If Equipped)

Lubricate the tongue jack, using a good grade of bearing grease.

6.11 Temperature Control Calibration

Check the control knob calibration weekly. Calibrate by turning the knob counterclockwise. If the marks do not align, loosen screw in knob and align the line on the control knob with the calibration mark on the scale plate. See [Figure 6.2 Temperature Control Calibration](#)

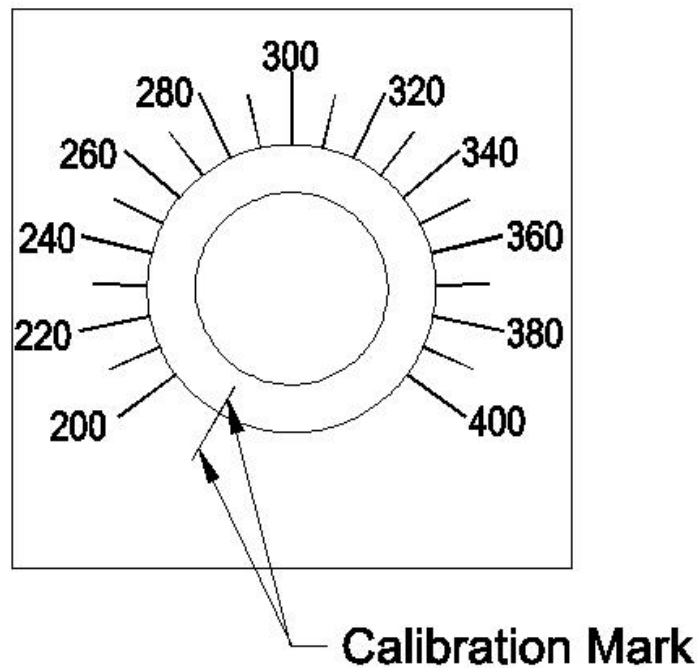


Figure 6.2 Temperature Control Calibration

Chapter 6 Maintenance Instructions

6.12 Maintenance Chart

Table 6-1 Maintenance Chart

Location	Procedure	Hours			
		8	50	250	500
Engine check oil level	Refer to the manufacturer's instructions for the engine	X			
Other engine maintenance	Refer to the manufacture's operating and maintenance instructions for the engine.				
Material Sensor Tube	Check for Heat Transfer Oil		X		
	Add	As needed			
Heat Transfer Oil	Check	X			
	Change				X
Hydraulic Oil	Check	X			
	Change				X
Gear Box Oil	Check	X			
	Change				X
Hydraulic Oil Filter	Change			X	
Burner	Check burner box insulation				X
	Clean CAD cell				X
	Check Electrodes				X
	Replace burner nozzle				X
Mixer Shaft Packing	Tighten when hot at 40 hour intervals. Do not over tighten.		X		
Mixer Shaft Bearings	Grease using a good grade bearing grease.		X		
Wheel Bearings	Clean and re-pack using a good grade of bearing grease.	Every 24,000 miles or two years			
Tongue Jack	Grease using a good grade of bearing grease.	Once a year			
Material Tank	Scrape out tank to remove all old material.				X
Material Sensor Guard	Scrape out built up material around guard.				X

See [Table 6-4 General Maintenance Parts](#) for more info on part numbers.

Chapter 6 Maintenance Instructions

6.13 Service Instructions

Table 6-2 Service Instructions

Step	Action
1	Do a general inspection of the machine at least once a week.
2	Replace all worn or damaged parts. Note: Keep regular replacement items in stock for emergency repairs to prevent costly downtime. See Table 6-5 Recommended Spare Parts
3	Make necessary adjustments and tighten all loose nuts or screws.
4	Watch for leaks. Tighten fittings or repair as necessary.
5	Clean the external surfaces of the machine at regular intervals. Note: Refer to the material manufacturer's instructions for recommendations.
6	Follow the recommended maintenance per Table 6-1 Maintenance Chart

For service, find a list of authorized Distributors and service centers at Crafco.com/Distributors.

6.14 Recommended Fluids and Lubricants

Table 6-3 Recommended Fluids and Lubricants

Application	Recommended	Full Point
Engine Oil	Refer to engine manual	1.6 Qts.
Hydraulic Oil	Shell AW Hydraulic 46	12 Gals.
Heat Transfer Oil	Shell Turbo T 68 (Group II)	17 Gals.
Gear Box Oil	85W-140 Gear Oil	1 Qt.

6.15 General Maintenance Parts

Table 6-4 General Maintenance Parts

Recommended Quantity	Description	Part No.
9" ea. wrap, 4 per location	Packing, Mixer Shaft	32226
1	Burner Nozzle	41883
1	Fuel Filter (Under Tank)	56932
1	Hydraulic Return Line Filter	45438
1	Engine Air Filter	56945
1	Engine Oil Filter	56945
1	Engine Mounted Fuel Filter	56947

Chapter 6 Maintenance Instructions

6.16 Recommended Spare Parts

Table 6-5 Recommended Spare Parts

Recommended Quantity	Description	Part No.
1	DC Controller	42335
2	Autostop Switch	39608
1	Burner Fuel Pump Coupling	41970
1	Pakstat, Material	43397
1	Pakstat, Hot Oil	43391
1	Burner Solenoid	39602
1	Fuel Filter	56932

6.17 Applicable Brands of Heat Transfer Oil

Table 6-6 Applicable Brand of Heat Transfer Oil

Manufacturer	Product Name	Crafco Heat Transfer Fluid
Chevron	Heat Transfer Oil Grade 46	Shell Turbo T 68 (Group II)
Citgo	Hytherm Oil 46	Shell Turbo T 68 (Group II)
Conoco	Hydroclear Heat Transfer Oil	Shell Turbo T 68 (Group II)
Fina	Vulcan Heat Transfer Oil 46	Shell Turbo T 68 (Group II)
Lubrication Engineers	Heat Transfer Oil	Shell Turbo T 68 (Group II)
Exxon Mobile	Caloria HT 43	Shell Turbo T 68 (Group II)
Mobil	Mobiltherm 43	Shell Turbo T 68 (Group II)
Mobil	Mobiltherm 603	Shell Turbo T 68 (Group II)
Phillips 66	Heat Transfer Oil #3`	Shell Turbo T 68 (Group II)
Phillips 66	Magnus Oil 68	Shell Turbo T 68 (Group II)

CAUTION

The heat transfer oil in this machine is a grade that has been tested and recommended by Crafco, Inc. Using a grade of oil not specifically recommended by Crafco, Inc., is cause for warranties to be voided.

All oils subjected to high temperatures deteriorate with time and lose many of their characteristics. Tests conducted by Crafco, Inc. have determined that for best results and safety, the heat transfer oil in this machine must be drained and replaced with Crafco, Inc. recommended oil after five hundred (500) hours of machine operation or one (1) year, whichever occurs first.

Chapter 6 Maintenance Instructions

6.18 Typical Heat Transfer Oil Specifications


Table 6-7 Typical Heat Transfer Oil Specifications

ISO	68
Flash Point, COC	445°F
Viscosity @ 100°F-SUS	325
Viscosity @ 210°F-SUS	50
Viscosity Index	95-100
Pour Point	0°F
Carbon residue	1%

6.19 Adjusting the Discharge Gate

Due to normal wear and tear, the discharge gate will need periodic adjustment to keep it sealed. It features a double nut tightening system. If the gate is leaking material excessively, you will need to adjust the nuts so it can re-form a seal when closed.


Table 6-8 Adjusting the Discharge Gate

Step	Action
WARNING	
	<p>The material in the material tank is extremely hot. Bodily contact with hot material can cause severe burns.</p> <p>The high operating temperatures of this machine and the material it contains require that protective clothing, gloves, hard-soled shoes, and safety glasses or a face shield be worn at all times while maintaining the machine.</p>
1	While the machine is at operating temperature, loosen the outer most nut. Then tighten the inner most nut.
2	Open and close the discharge gate a few times to clean off the sealing surfaces.
	Note: If there is material in the machine, make sure to place a bucket below the chute to collect any material that comes out. You may also want to use a torch to clean off any built up material from the discharge gate area.
3	As you open and close the gate, it should take less force as the sealing surfaces clean themselves. With the gate closed, tighten the inner nut again.
4	Open and close the gate a few more times, making sure the gate operates smoothly, and the sealing surfaces are clean of any aggregate.
5	Once the sealing surfaces are clean, you will want to tighten the nut so that the gate operates smoothly with a little resistance. It should not be loose.
6	Once you have the inner nut set to your desired resistance, you will need 2 wrenches. Use one to hold the inner nut in position, and then tighten the outer nut to lock it.
7	Open and close the gate. It should operate smoothly, and not allow any excessive material to leak.

Chapter 6 Maintenance Instructions

6.20 Adjusting and Replacing Mixer Shaft Packing

Table 6-9 Adjusting and Replacing Mixer Shaft Packing

Step	Action
1	Bring the Patcher I to temperature as preparation to drain the material tank below the mixer shaft level.
2	Drain material until the level is below the mixer shaft so material will not leak out during replacement.
WARNING	
	<p>The material in the material tank is extremely hot. Bodily contact with hot material can cause severe burns.</p> <p>The high operating temperatures of this machine and the material it contains require that protective clothing, gloves, hard-soled shoes, and safety glasses or a face shield be worn at all times by operators of the machine.</p>
3	Set the hot oil temperature to 150 degrees, and let it cool down to that temperature.
4	Start with the back seal area first on the back of the machine. You will have to unbolt the bearing support tube, loosen the set screw on the bearing, and slide the bearing and support tube off the back of the machine.
5	Remove the 4 nuts that hold each packing gland assembly in place, and pull the packing gland assembly off of the shaft.
6	Cut the rope seal to 9" long. Wrap the new packing seal around the shaft with the seam at least 90° from the existing seam seal and push it into the seal cup. You can use the packing gland assembly to help push it in. When the machine is new, it has four of the 9" wraps in each seal area.
7	Align the packing gland assembly with the studs, and slide it into place. Tighten down the 4 nuts in a cross pattern until they are reasonably tight.
8	Re-install the bearing and support assembly, and tighten the mounting bolts and set screw.
9	Go to the front of the machine, and loosen the packing gland assembly nuts, and slide the gland towards the bearing.
10	Wrap the new packing seal around the shaft, and push it into the cup as you did before.
11	Align the packing gland assembly with the studs, and slide it into place. Tighten down the 4 nuts in a cross pattern until they are reasonably tight.
12	Heat up and use the machine as normal. You may need to tighten the packing gland assembly nuts after some use, or if they weren't tightened enough after replacement. There should not be any material leaking from the packing seal area.
13	Run the mixer shaft and check for any leaking. If it leaks, you need to tighten the nuts in a cross pattern until the leaking stops. Make sure not to over tighten the packing or premature wear of the shaft could result.

Chapter 7 How to Use a Multimeter

7.0 How to Use a Multimeter

CrafcO machines use 12-volt direct current (DC) to power the burner, hydraulic valves, and trigger on electric wand. The DC power is from a 12-volt battery.

If equipped, the electric hose and wand uses 24-volt 3-phase alternating current (AC). The AC power is from the generator which hangs under the radiator. This system has no reference to ground so there is no possibility of electrical shock unless you are between 2 of the phases. **NOTE: ONLY CHECK AMPERAGE ON A HOSE WITH A CLAMP-ON AMP METER.**

12-volt DC power has little danger of electrical shock. Care must still be taken when dealing with DC power systems because it is capable of producing large amounts of current.

7.1 Checking DC Voltage with a Multimeter

Connect the probes to the meter.

Set the range to a position that includes 12-volts or higher.

Touch the red probe to the positive side of accessory and black probe to ground. If the item you are checking has a ground wire attached then use that ground or you can use a non-painted surface on the frame.

7.2 Checking AC Voltage with Multimeter

Connect the probes to the meter.

Set the range to a position that includes 24-volts or higher.

There are three steps to test the generator voltage. All 3 values should be in the range of 24-30 volts AC.

- Touch red probe to the white wire of the generator and the black probe to the green wire of the generator.
- Next move black probe to black wire.
- Then move red probe to green wire.

7.3 Checking Resistance (Ohms)

Connect the probes to the meter. See [Figure 7.1 Standard Multimeter](#).

Note: When checking Ohms, the circuit cannot be completed. This means one end of the wire will need to be disconnected.

7.3.1 How to Check Wire Continuity

Set the meter to “Audible Continuity”. Now touch the probe to each end of the wire in question. The meter will read “0” on the screen and make an audible beep if the wire has continuity from end to end.

7.3.2 How to Check RTD Sensor

Set dial to Ohms Ω . If your meter has different ranges, set to 2k or 2000 ohm range. Touch one probe to each screw or wire of the sensor. The meter will read X.XX if in the 2k range or XXX.X if in the 2000 range.

Chapter 7 How to Use a Multimeter

7.4 Checking Amperage

The Multimeter can be used to check amperages under 10 amps in AC or DC current. When checking the amperage of the electric hose **always use a clamp-on amp meter**. The amperage in the hose can reach as high as 35 amps. Clamp the meter around one wire at a time. Remember most clamp-on meters do not work on DC current.

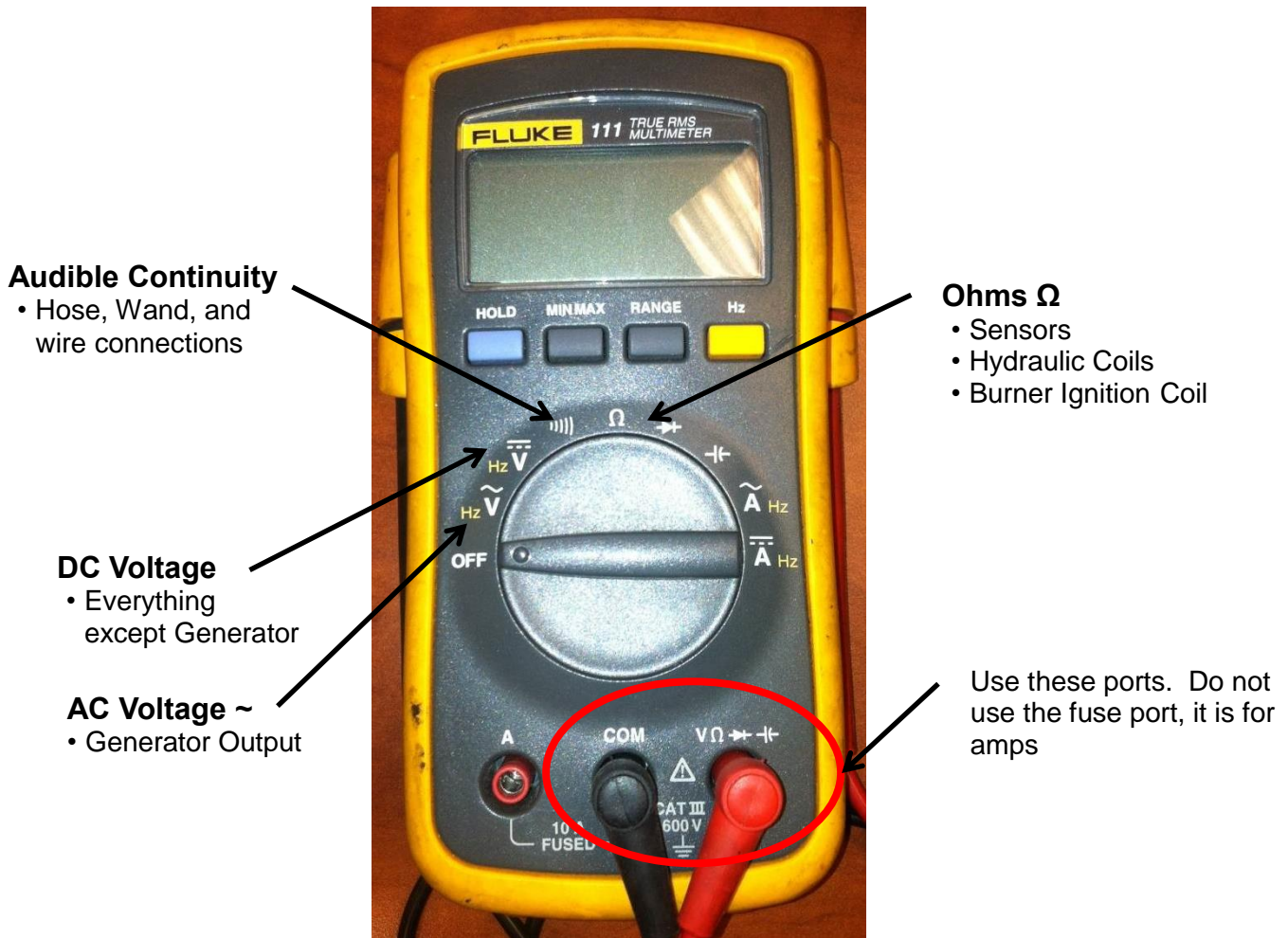


Figure 7.1 Standard Multimeter

Chapter 7 How to Use a Multimeter

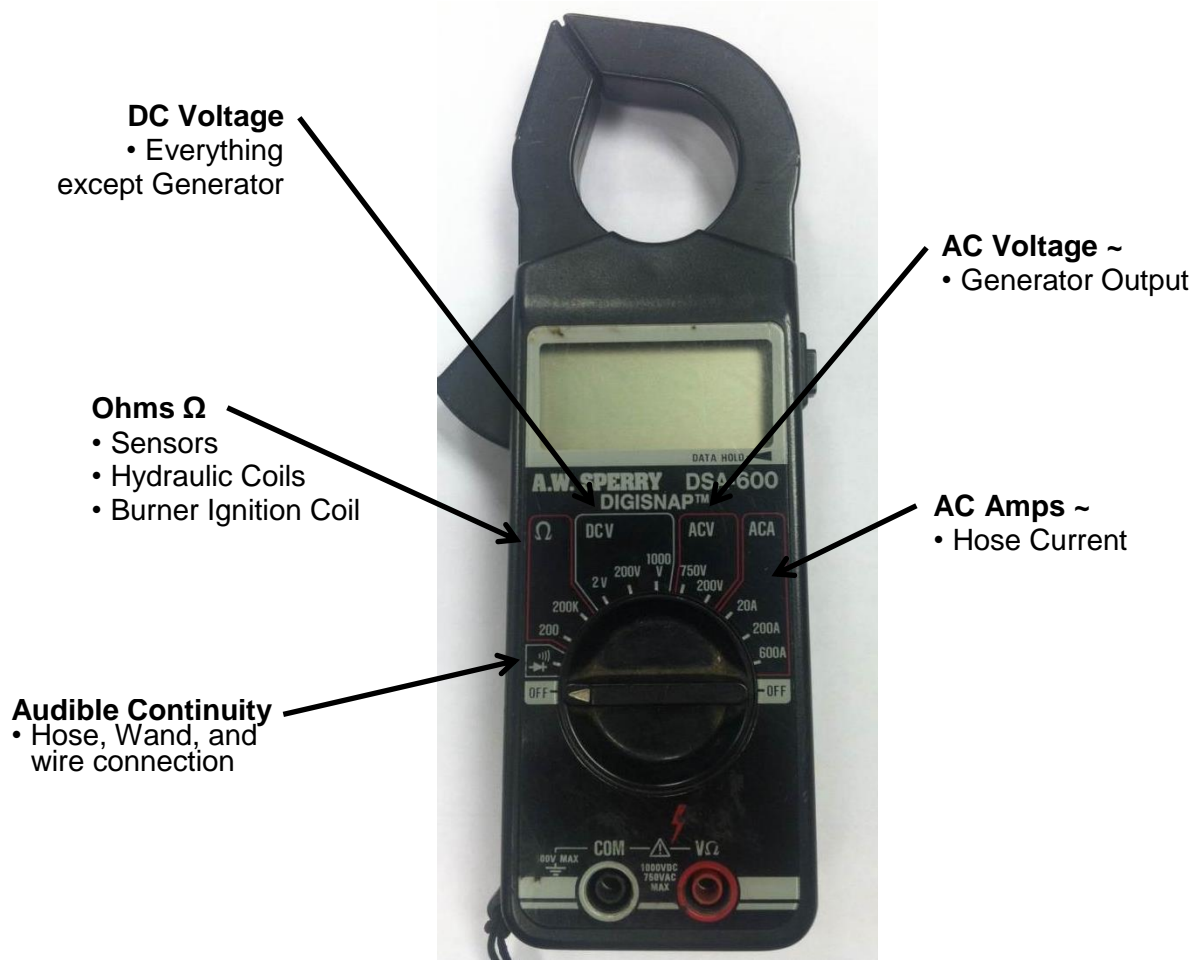


Figure 7.2 Clamp-On Amp Meter/Multimeter

Chapter 8 Troubleshooting

8.0 Troubleshooting

8.1 Burner Troubleshooting

8.1.1 Symptom: Burner will Not Ignite

Table 8-1 Burner Basic Visual Troubleshooting

Step	Possible Cause	If . . .
1	Start Troubleshooting at the control box. Is the engine running?	<ul style="list-style-type: none"> • Yes, go to Step 2. • No, start the engine. • NOTE: You can troubleshoot the burner without the engine running, but you must hook a battery charger to the battery and turn the ignition key to the "ON" position.
2	Is the "POWER" toggle switch in the "ON" position?	<ul style="list-style-type: none"> • Yes, go to Step 3. • No, turn the toggle switch to the "ON" position
3	Are both the Material and Hot Oil temperature dials set to proper operating temperatures?	<ul style="list-style-type: none"> • Yes, go to Step 4. • No, set the Material according to the type of material you are using and the Hot Oil 100°F above the Material set point.
4	Are both the Material and Hot Oil temperature displays reading a three digit positive number?	<ul style="list-style-type: none"> • Yes, go to Step 5. • No, go to Table 8-2 Burner Electrical Troubleshooting Step 4
5	Is the red "Burner" light "ON"?	<ul style="list-style-type: none"> • Yes, go to Step 6. • No, go to Table 8-2 Burner Electrical Troubleshooting, Step 4
6	Is the diesel tank full?	<ul style="list-style-type: none"> • Yes, go to Step 7. • No, fill your tank or make sure you have enough fuel for the day.
7	Did you run the diesel tank low on fuel or empty?	<ul style="list-style-type: none"> • Yes, you need to bleed your burner, go to Table 8-6 Bleeding the Diesel Burner • No, go to Step 8.
8	Is there smoke coming out of the exhaust stack?	<ul style="list-style-type: none"> • Yes, go to Table 8-7 Smoke Coming Out of the Exhaust Stack • No, go to Step 9.
9	Is your burner working properly, but it seems like it takes a lot to reach operating temperature?	<ul style="list-style-type: none"> • Yes, go to Table 8-8 Material is Heating Slowly • No, Call Crafco, Inc. and speak to a customer service technician.

Chapter 8 Troubleshooting

Table 8-2 Burner Electrical Troubleshooting

Step	Possible Cause	If . . .
1	Is the "POWER" toggle switch in the "ON" position ?	<ul style="list-style-type: none"> • Yes, go to Step 1a. • No, turn the main power switch to the "ON".
1a	Is the output voltage at the "POWER" toggle switch 12Vdc? (Refer to the Figure 8.1 Electrical Schematic (P/N 26564) .) (Check both the red and orange wires.)	<ul style="list-style-type: none"> • Yes, on both, go to Step 2. • No, see below. • No, on both orange and red wires go to Step 1b. • No, on orange and Yes on red replace "POWER" toggle switch.
1b	Is the circuit breaker tripped?	<ul style="list-style-type: none"> • Yes, reset the circuit breaker by pushing in the button which has popped out. • No, go to Step 1c.
1c	Is the output voltage at the circuit breaker 12Vdc? (Check both red wires).	<ul style="list-style-type: none"> • Yes, on both, go to Step 2. • No, see below. • No, on the red wire between the circuit breaker and the power toggle switch and Yes on the red wire between the circuit breaker and the battery, replace the circuit breaker. • No, on the red wire between the circuit breaker and the battery, go to Step 1d.
1d	Is the output voltage at battery 12Vdc?	<ul style="list-style-type: none"> • Yes, check for broken wires or poor wire crimp at the battery and circuit breaker. • No, your battery doesn't have sufficient charge. Either charge or replace the battery.

Chapter 8 Troubleshooting

Table 8-2 Burner Electrical Troubleshooting (continued)

Step	Possible Cause	If . . .
2	Are both the Material and Hot Oil readouts displaying a three digit number?	<ul style="list-style-type: none"> • Yes, go to Step 3. • No, go to Step 2a.
2a	Is the voltage 12Vdc between the power and the ground on the PAKSTAT for which the display is not reading (material check terminals #3 and #5)? (Hot oil check terminals #3 and #5.)	<ul style="list-style-type: none"> • Yes, go to Step 2b. • No, check for broken wires or poor wire crimp on the power and the ground. • Still No, replace PAKSTAT.
2b	Does the readout display a -1? Note: This occurs only when there is a short in the sensor circuit.	<ul style="list-style-type: none"> • Yes, check the RTD sensor for water or condensation under the cap or corrosion causing a short. • No, go to Step 2c.
2c	Does the readout display a 1? Note: This occurs only when the sensor circuit is not completed.	<ul style="list-style-type: none"> • Yes, this means there is a break in the two wires between the RTD sensor and the PAKSTAT. Start at the sensor and work your way back to the control box, checking for broken wires. • No, go to Step 2d.
2d	Is the readout display blank? (Take note of the direction the red stripe on the ribbon cable is pointing before you move it.)	<ul style="list-style-type: none"> • Yes, move the ribbon cable which is plugged into the back of the readout which is blank to a readout next to it. If the readout displays a three digit number, the blank readout is bad and needs to be replaced. If the readout remains blank, go to Step 2e.
2e	Readout is still blank	<ul style="list-style-type: none"> • Use the other ribbon cable to go between both the first blank readout and the PAKSTAT for that readout. If the readout displays a three digit number, the original ribbon cable is bad and needs to be replaced. If the readout is still blank, the PAKSTAT is bad and needs to be replaced.

Chapter 8 Troubleshooting

Table 8-2 Burner Electrical Troubleshooting (continued)

Step	Possible Cause	If . . .
3	Is there 12Vdc between the Hot Oil PAKSTAT terminal #3 orange wire and terminal #5 black ground wire?	<ul style="list-style-type: none"> • Yes, go to Step 4. • No, check for broken wires or poor wire crimp on the #3 and #5. • Still No, replace the Hot Oil PAKSTAT.
4	Is there 12Vdc between the Hot Oil PAKSTAT terminal #6 gray wire and terminal #5 black ground wire?	<ul style="list-style-type: none"> • Yes, go to Step 5. • No, go to Step 4a.
4a	Is there 12Vdc between the Material PAKSTAT terminal #3 orange wire and terminal #5 black ground wire?	<ul style="list-style-type: none"> • Yes, go to Step 4b. • No, go to Step 4c.
4b	Are there any broken wires or poor wire crimp between the Material PAKSTAT terminal #3 orange and Hot Oil PAKSTAT terminal #6 gray? (Also check the terminal block where this gray wire passes through.)	<ul style="list-style-type: none"> • Yes, repair the damage and then repeat Step 4. • No, call CrafcO, Inc. and speak to customer service technician.
4c	Is there 12Vdc between the Material PAKSTAT terminal #3 orange wire and terminal #5 black ground wire?	<ul style="list-style-type: none"> • Yes, check Material PAKSTAT terminal #3 for a broken wire or poor wire crimp. Then recheck for 12Vdc between Material PAKSTAT terminal #3 orange wire and #5 black ground wire. • If still No, replace Material PAKSTAT.
4d	Is there 12Vdc between the Material PAKSTAT terminal #3 orange wire and terminal #5 black ground wire?	<ul style="list-style-type: none"> • Yes, then you should have 12Vdc on Material PAKSTAT terminal #3, check for a broken wire or poor wire crimp. • No, go to Step 4e.
4e	Is there any broken wires or poor wire crimp between the Material PAKSTAT terminal #3 orange wire, terminal #3 orange wire, terminal #5 black ground wire and Hot Oil PAKSTAT terminal #3 orange? (Also check the terminal block where this orange wire passes through.)	<ul style="list-style-type: none"> • Yes, repair the damage and then repeat Step 4a. • No, call CrafcO, Inc. and speak to customer service technician.

Chapter 8 Troubleshooting

Table 8-2 Burner Electrical Troubleshooting (continued)

Step	Possible Cause	If . . .
5	Is there 12Vdc between Hot Oil PAKSTAT terminal #7 gray wire and terminal #5 black ground?	<ul style="list-style-type: none"> • Yes, go to Step 6. • No, check for a broken wire or poor wire crimp on Hot Oil PAKSTAT terminal #7 and repeat Step 5. • Still No, then replace Hot Oil PAKSTAT.
6	Is there 12Vdc between the frame solenoid post green wire and red wire and the black ground wire? (The frame solenoid can be located next to the burner.)	<ul style="list-style-type: none"> • Yes, go to Step 7. • No, go to Step 6a.
6a	Are there any broken wires or poor wire crimp between the frame solenoid post green wire and red wire, black ground wire or on the Hot Oil PAKSTAT terminal #7 gray wire? (Also check the terminal block where this green wire passes through and becomes a gray wire inside the control box.)	<ul style="list-style-type: none"> • Yes, repair the damage and then repeat Step 6. • No, call Crafcro, Inc. and speak to customer service technician.
7	Is there 12Vdc between the frame solenoid side post going toward the burner large red wire and the black ground wire?	<ul style="list-style-type: none"> • Yes, go to Step 8. • No, go to Step 7a.
7a	Is there 12Vdc between the frame solenoid side post going toward the battery red wire and the black ground wire?	<ul style="list-style-type: none"> • Yes, replace the frame solenoid. • No, go to Step 7b.
7b	Is there 12Vdc between the circuit breaker post going toward the frame solenoid red wire and the battery tray black ground cable? (Circuit breaker is located under the battery tray.)	<ul style="list-style-type: none"> • Yes, check between these two points for a broken wire or poor wire crimp. • No, go to Step 7c.
7c	Is there 12Vdc between the circuit breaker post going toward the battery red wire and the battery tray black ground cable?	<ul style="list-style-type: none"> • Yes, wait 15 seconds and repeat Step 7b. • Still No, on Step 7b replace the circuit breaker. • No, go to Step 7d.
7d	Is there 12Vdc between the battery small red wire and the battery post negative?	<ul style="list-style-type: none"> • Yes, check between these two points for a broken wire or poor wire crimp. • No, go to Step 7e.

Chapter 8 Troubleshooting

Table 8-2 Burner Electrical Troubleshooting (continued)

Step	Possible Cause	If . . .
7e	Is there 12Vdc between the battery post positive and the battery post negative?	<ul style="list-style-type: none"> • Yes, check between small red wire and the circuit breaker for a broken wire or poor wire crimp. • No, replace the battery.
8	Remove the six pin plug from the burner. Is there 12Vdc between the red wire and black ground wire?	<ul style="list-style-type: none"> • Yes, go to Step 9. • No, check for a broken wire or poor wire crimp on both wires.
9	Is there 12Vdc between the white wire and the black ground wire?	<ul style="list-style-type: none"> • Yes, go to Step 10. • No, check for a broken wire or poor wire crimp on the white wire.
10	Plug the six pin plug back onto the burner, loosen the two screws holding the DC Controller in place and set it to the side with all the wires connected. Is there 12Vdc between the red wire and black ground wire inside the gang box?	<ul style="list-style-type: none"> • Yes, go to Step 11. • No, check for a broken wire or poor wire crimp on both wires.
11	Is there 12Vdc between the white wire and black ground wire inside the gang box?	<ul style="list-style-type: none"> • Yes, go to Step 12. • No, check for a broken wire or poor wire crimp on the white wire.
12	Remove the six pin plug from the burner, remove the wire nuts between the two white wires, two red wires and the two black ground wires, then reconnect these six wires white to white, red to red and black to black, reconnect the burner plug. Is there 12Vdc between the red wire and the black ground wire? (Checking the underside of the wire nuts.)	<ul style="list-style-type: none"> • Yes, go to Step 13. • No, call Crafcro, Inc. and speak to a customer service technician
13	Is there 12Vdc between the white wire and the black ground wire? (Checking the underside of the wire nuts.)	<ul style="list-style-type: none"> • Yes, go to Table 8-3 Testing the DC Controller • No, call Crafcro, Inc. and speak to a customer service technician.

Chapter 8 Troubleshooting

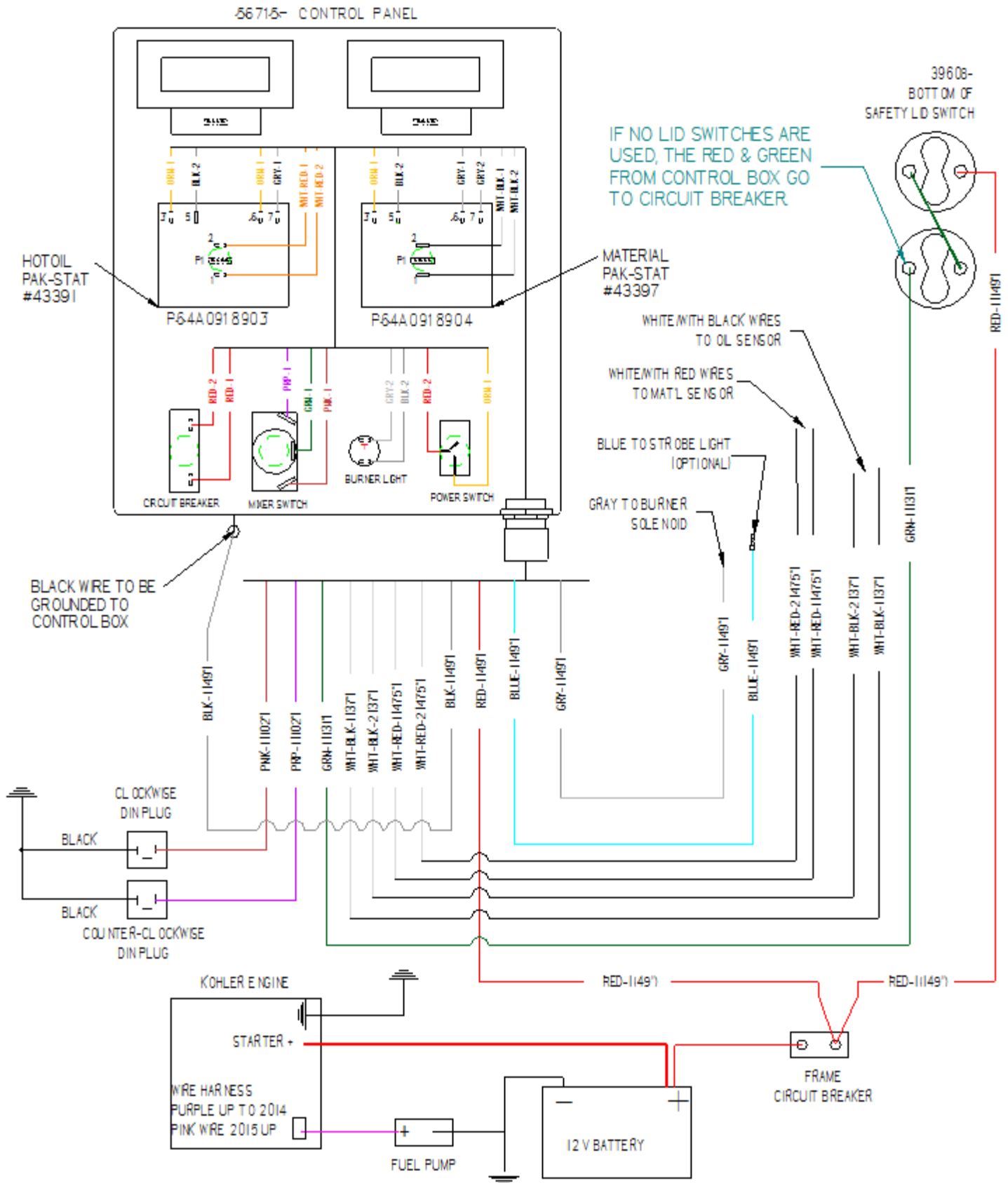


Figure 8.1 Electrical Schematic (P/N 26564)

Chapter 8 Troubleshooting

8.2 Testing the DC Controller

Table 8-3 Testing the DC Controller

Step	Bench Test DC Controller
1	Remove all wire nuts attaching the DC Controller to the burner.
2	Attach the black ground wire to the negative battery post.
3	Attach the red wire to the positive battery post.
4	Attach the white (Enable) wire to the positive battery post to start the test. (Genesis II Controllers will have a 15-second delay.) <ul style="list-style-type: none"> • Orange (Blower Motor) wire should have 12Vdc (all the time). • Blue (Igniter) wire should have 12Vdc. • Purple (Fuel Solenoid) wire should have 12Vdc (after the delay).
5	Twist the yellow wires together (once voltage registers) on the orange, blue and purple wires. <ul style="list-style-type: none"> • Orange (Blower Motor) wire should maintain 12Vdc. • Blue (Igniter) wire should lose voltage after 15 seconds. • Purple (Fuel Solenoid) wire should maintain 12Vdc.
6	If any of the above tests fails, replace the DC Controller.

8.3 Burner Troubleshooting

Table 8-4 Burner Troubleshooting

Step	Burner Troubleshooting
1	Remove cord set from fuel solenoid.
2	Check the ohms between the terminals of fuel solenoid.
3	If the reading is between 15-25 ohms the coil is good.
4	If the reading is outside the above range or the meter indicates an open circuit, replace the fuel solenoid.

Chapter 8 Troubleshooting

8.4 Ignition Coil Troubleshooting

Table 8-5 Ignition Coil Troubleshooting

Step	Ignition Coil Test
1	Make sure the burner is off.
2	Check resistance between each of the springs and the ground (exposed metal on the burner).
3	The meter should read less than 2000 ohms. (Take note of the readings, you will use them in Step 5.)
4	Check resistance between both springs. (Take note of the reading, you will use it in Step 5.)
5	The igniter should be replaced if: <ul style="list-style-type: none"> • The difference between the two springs to ground resistance reading is greater than 20%. • Or the spring-to-spring resistance does not read approximately twice the spring to ground.

8.5 Bleeding the Diesel Burner

Table 8-6 Bleeding the Diesel Burner

Step	Bleeding the Diesel Burner
1	Place an oil pan under the machine in front of the burner.
2	Using a 3/8" wrench, loosen the bleeder valve on the fuel pump. (Refer to Figure 8.3 Diesel Burner Air Settings.)
3	Turn the ignition key to the "ON" position, then turn the power toggle switch to the "ON" position. Fuel should flow out of the bleeder valve. You want the fuel to be clear from any air bubbles; this may require you to turn the ignition key "OFF" and "ON" a couple of times.
4	Allow burner to cycle itself off 30 seconds.
5	Tighten the bleeder valve.

Chapter 8 Troubleshooting

8.6 Smoke Coming Out of the Exhaust Stack

Table 8-7 Smoke Coming Out of the Exhaust Stack

Step	Smoke Coming Out of the Exhaust Stack
1	White smoke indicates that there is too much air being forced through the burner. Loosen the Air Shutter screw and rotate the Air Shutter clockwise to increase air and counter clockwise to reduce air. Refer to Figure 8.3 Diesel Burner Air Settings , for the proper air settings and diagram.
2	Black smoke indicates that there is too much fuel being forced through the burner nozzle or there is not enough air being forced through the burner. First check the battery voltage, then move to the air settings, then move to the electrode assembly.
3	Using a 7/16" wrench, remove the copper fuel line nut attached to the nozzle line. (Refer to Figure 8.2 Diesel Burner Electrode Adjustment .) Next remove the locking nut for the nozzle tube. Then loosen the locking tabs on the ignition coil and open the ignition coil. Remove the nozzle line assembly.
4	Using Figure 8.2 Diesel Burner Electrode Adjustment , make sure the electrodes are in the correct position. Loosen the clamp holding the electrodes in place so they can be adjusted. Inspect the porcelain ceramic insulator for any cracks. Also check the tip of each of the electrodes to make sure they still have a sharp point and are not rounded off.
5	If it has been longer than 500 hours since the last time the burner nozzle was replaced, CrafcO recommends replacing the burner nozzle at this time.
6	Reassemble the burner, using the reverse order in Step 3.
7	Remove the burner assembly by removing the four (4) 3/8" nuts holding the burner to the burner box.
8	Using an inspection mirror, make sure the insulation inside the burner box is not soaked with diesel fuel.
9	If the insulation is soaked with diesel fuel, you will need to remove the front face of the burner box and replace the insulation.
10	Reassemble the burner box and burner.

Chapter 8 Troubleshooting

8.7 Burner Electrode Adjustment

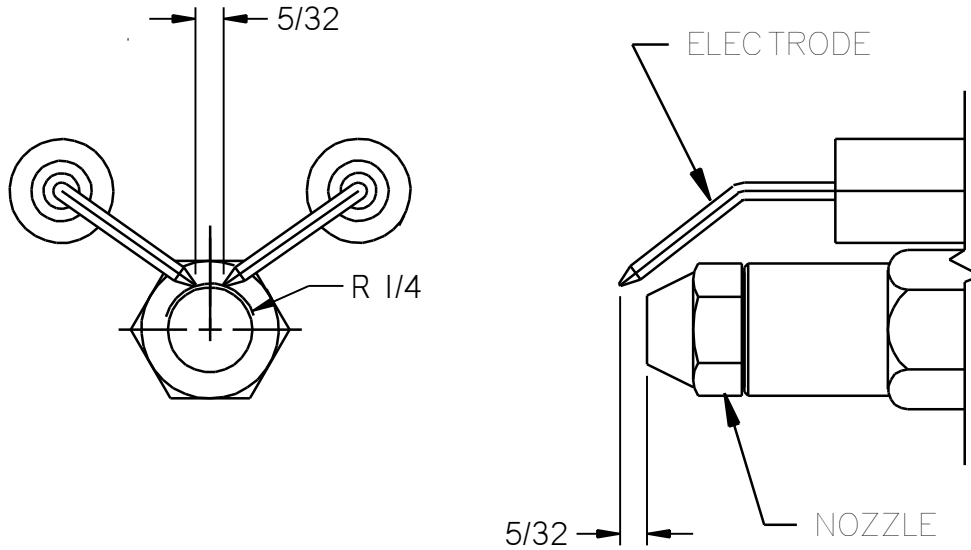


Figure 8.2 Diesel Burner Electrode Adjustment

8.8 Burner Air Settings

Air Shutter = 7

Air Band = 0

Fuel Pressure = 140 PSI

Use fuel and hydraulic pressure gauge kit part number 29627.

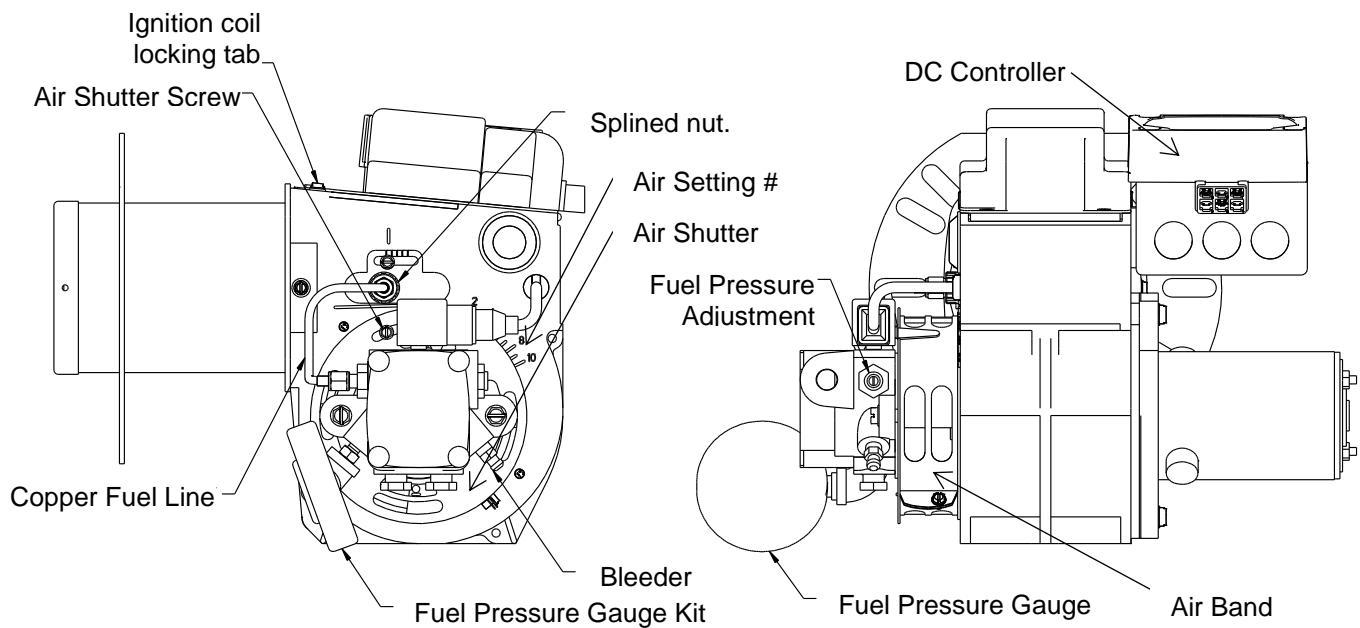


Figure 8.3 Diesel Burner Air Settings

Chapter 8 Troubleshooting

8.9 Material is Heating Slowly

Table 8-8 Material is Heating Slowly

Step	Material is Heating Slowly
1	With the material level half or less, open the loading lid and inspect the inside edge of the material tank. Check if there is a buildup of old, dried out and hardened material along the top half of the material tank.
2	If this is the case you will need to drain out (use up) the rest of the material inside the tank. When the tank is empty, use an air chisel to remove this built up material. Remove as much as possible all around the tank including the roof of the material tank. Remove all the old material chunks from the bottom of the material tank. This should be done every 500 hours or as conditions require.
3	Check your level of the heat transfer oil, the mark on the dipstick is for 70°F.
4	Check your records of the last service replacement of the heat transfer oil. If it has been longer than 500 hours, or one year, you need to change your oil.
5	Many of Crafcoc, Inc. service centers can perform these service steps for you if you cannot. Call your local service center to learn more.

8.10 Mixer Troubleshooting

8.10.1 Symptom: Mixer Does Not Rotate

Table 8-9 Mixer Basic Visual Troubleshooting

Step	Possible Cause	If . . .
1	Start Troubleshooting at the control box. Is the Mixer Control Switch Up or Down?	<ul style="list-style-type: none"> • Yes, go to Step 2. • No, flip switch to desired rotation.
2	Is the loading door closed?	<ul style="list-style-type: none"> • Yes, go to Step 3. • No, shut the loading door.
3	Is the "Mixer Control" toggle switch in the "Clockwise" position?	<ul style="list-style-type: none"> • Yes, go to Step 4. • No, move the toggle switch to the Clockwise position.
4	Move the "Mixer Control" toggle switch to the "C'Clockwise" position. Is the agitator moving?	<ul style="list-style-type: none"> • Yes, Go to Step 5. • No, go to Table 8-11 Mixer Electrical Troubleshooting

Chapter 8 Troubleshooting

Table 8-10 Mixer Basic Visual Troubleshooting (continued)

Step	Possible Cause	If . . .
5	Open the Material loading door. Are there more than three (3) unmelted blocks in the tank?	<ul style="list-style-type: none"> • Yes, this can cause the agitator to jam. Use the mixer toggle switch to move the agitator forward and backward until the material melts enough to allow forward movement without jamming. • No, go to Table 8-11 Mixer Electrical Troubleshooting.
6	Is the hydraulic fluid level near the center of the sight gauge or higher?	<ul style="list-style-type: none"> • Yes, go to Step 7. • No, fill oil to the center of the sight gauge.
7	Is the hydraulic pressure too low?	<ul style="list-style-type: none"> • Yes, Reset pressure. See Table 8-14 Mixer Hydraulic Troubleshooting Step 3. • No, go to Table 8-11 Mixer Electrical Troubleshooting

Table 8-11 Mixer Electrical Troubleshooting

Step	Possible Cause	If . . .
1	Is the Material Temperature at or above 275°F ± 10°F?	<ul style="list-style-type: none"> • Yes go to Step 2. • No, continue to allow the machine to heat.
2	Is there 12Vdc between the Material PAKSTAT terminal #3 orange wire and terminal #5 black ground wire? (Refer to Figure 8.1 Electrical Schematic (P/N 26564) .)	<ul style="list-style-type: none"> • Yes, go to Step 3. • No, go to Step 2a.
2a	Is there 12Vdc between the Material PAKSTAT terminal #3 orange wire and terminal #5 black ground wire?	<ul style="list-style-type: none"> • Yes, check for a broken wire or poor wire crimp on the terminal #3 orange wire and recheck for 12Vdc. (If still no voltage, replace the Material PAKSTAT.) • No, If this is the case you have a burner issue

Chapter 8 Troubleshooting

Table 8-12 Mixer Electrical Troubleshooting (continued)

Step	Possible Cause	If . . .
3	<p>Is there 12Vdc between the lid switch red wire and a nearby ground source?</p> <p>(Check both red wires on the bottom of the lid switch with the lid closed.)</p>	<ul style="list-style-type: none"> • Yes, on both red wires go to Step 3a. • Yes, on only one red wire when the lid is closed. Readjust the lid switch so that the lid completely depresses the switch, and then recheck for 12Vdc. If the same result happens, replace the lid switch. • No, check for a broken wire or poor wire crimp between the lid switch and the control box red wire labeled red-lid.
3a	<p>Is there 12Vdc between the "Mixer" toggle switch center post green wire and the main black ground wires?</p>	<ul style="list-style-type: none"> • Yes, go to Step 3b. • No, check for a broken wire or poor wire crimp between the "Mixer" toggle switch and the lid switch.
3b	<p>Is there 12Vdc between the "Mixer" toggle switch bottom post pink wire and the main black ground wires? (With the "Mixer" toggle switch in the "Clockwise" position.)</p>	<ul style="list-style-type: none"> • Yes, go to Step 3c. • No, replace the "Mixer" toggle switch.
3c	<p>Is the amber light "ON" when the "Mixer" is in the "Clockwise" position?</p> <p>(Looking down at the top of the hydraulic valve, Mixer up is the din plug marked Clockwise.) (Refer to Figure 8.6 Din Plug Layout.)</p>	<ul style="list-style-type: none"> • Yes, go to Step 3d. • No, replace the din plug.
3d	<p>Unscrew the din plug center screw so you can pull the din plug up about 1/4" in order to check for voltage.</p> <p>Is there 12Vdc from side post to side post? (Refer to Figure 8.4 Checking Din Plug Voltage)</p>	<ul style="list-style-type: none"> • Yes, the electrical system for the mixer is working properly, go to Table 8-14 Mixer Hydraulic Troubleshooting. • No, recheck the amber light, if the light comes "ON" and you do not have 12Vdc then replace the din plug.
4	<p>Clockwise mixing works but C'Clockwise does not.</p>	<ul style="list-style-type: none"> • Yes, go to Step 4a.

Chapter 8 Troubleshooting

Table 8-13 Mixer Electrical Troubleshooting (continued)

Step	Possible Cause	If . . .
4a	<p>Is there 12Vdc between the "Mixer" toggle switch top post purple wire and the main black ground wires?</p> <p>(With the "Mixer" toggle switch in the "C'Clockwise" position.)</p>	<ul style="list-style-type: none"> • Yes, go to Step 3c. • No, replace the "Mixer" toggle switch.
4b	<p>Is the amber light "ON" when the "Mixer" is in the "C'Clockwise" position?</p> <p>(Looking down at the top of the hydraulic valve, Mixer down is the din plug marked Counter-Clockwise.) (Refer to Figure 8.6 Din Plug Layout).</p>	<ul style="list-style-type: none"> • Yes, go to Step 3d. • No, replace the din plug.
4c	<p>Unscrew the din plug center screw so you can pull the din plug up about 1/4", so you can check for voltage.</p> <p>Is there 12Vdc from side post to side post? (Refer to Figure 8.4 Checking Din Plug Voltage)</p>	<ul style="list-style-type: none"> • Yes, the electrical system for the mixer is working properly, go to Table 8-14 Mixer Hydraulic Troubleshooting. • No, recheck the amber light, if the light comes "ON" and you do not have 12Vdc then replace the din plug.



Figure 8.4 Checking Din Plug Voltage

Chapter 8 Troubleshooting

8.11 Mixer Hydraulic Troubleshooting

Table 8-14 Mixer Hydraulic Troubleshooting

Step	Possible Cause	If . . .
1	Does the coil magnetize when the din plug amber light is "ON"?	<ul style="list-style-type: none"> • Yes, go to Step 2. • No, remove the din plug, then remove the coil by unscrewing the nut on the end of the coil. With the coil removed, re-attach the din and place a metal screwdriver in the center of the coil and move it toward the side of the coil to see if the coil is magnetic. If it is not, recheck the din plug is plugged into the coil and the amber light is "ON". If still not magnetic, replace the coil.
2	Is the relief pressure set correctly? (Refer to Figure 8.5 Hydraulic Pressure Adjustment Location for pressure settings.)	<ul style="list-style-type: none"> • Yes, go to Step 3. • No, first turn "OFF" the engine, then remove one of the two hydraulic hoses going to the agitator hydraulic motor, cap off the fitting on the motor and use a 3,000 PSI gauge with the proper JIC fitting, attach it to the hose. Start the engine, turn "ON" the main power in the control box, move the "Mixer" toggle switch to the "Clockwise" position and read the pressure gauge. If the pressure needs to be adjusted, use the pressure relief valve labeled "RVA", loosen the jam nut and adjust the pressure with the allen screw at the end of the relief. Turn clockwise to increase pressure and counter clockwise to reduce pressure, then tighten the jam nut to lock the pressure. Next turn "OFF" the engine, remove the cap, pressure gauge and reattach the hose.
3	Is the hydraulic flow correct from the hydraulic pump?	<ul style="list-style-type: none"> • Yes, call Crafc, Inc. and speak to customer service. • No, call a local hydraulic shop to see if they can run a hydraulic pump flow test, using the information in Figure 8.5 Hydraulic Pressure Adjustment Location

Chapter 8 Troubleshooting

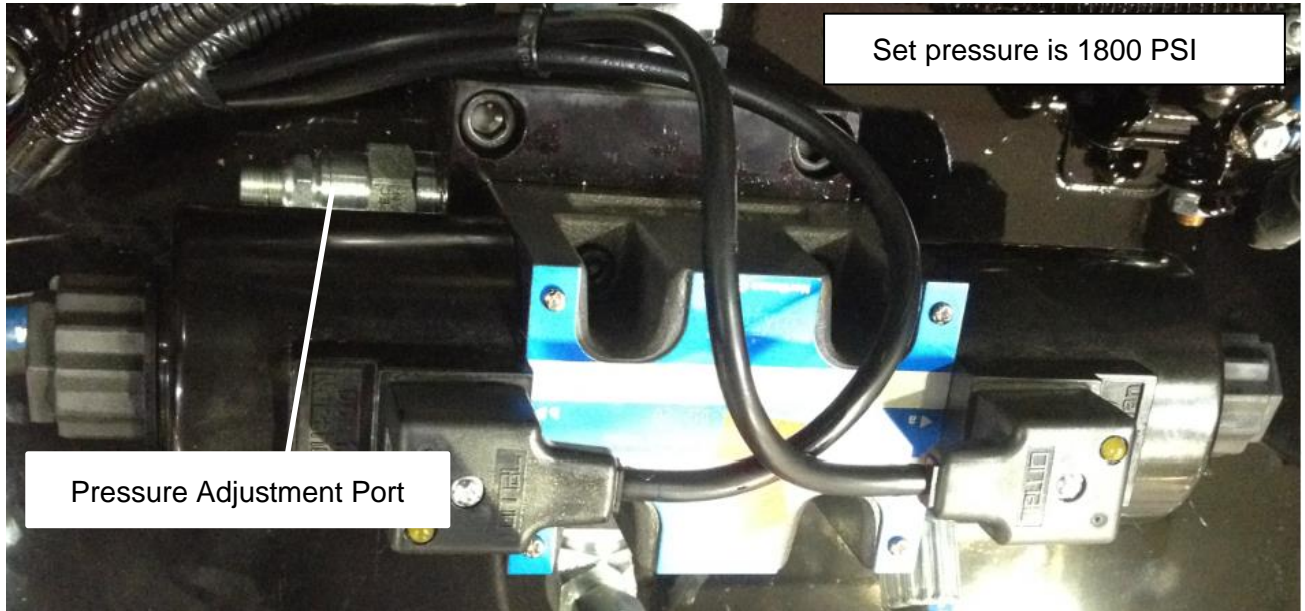


Figure 8.5 Hydraulic Pressure Adjustment Location

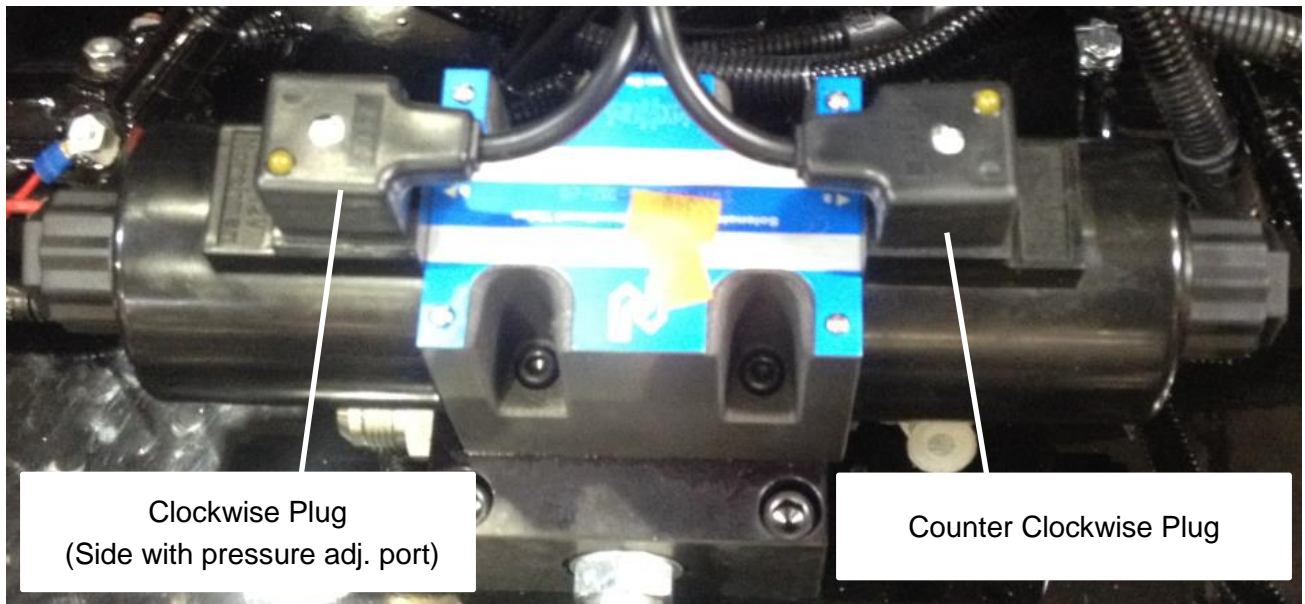


Figure 8.6 Din Plug Layout

Chapter 8 Troubleshooting

8.12 Hydraulic Schematic

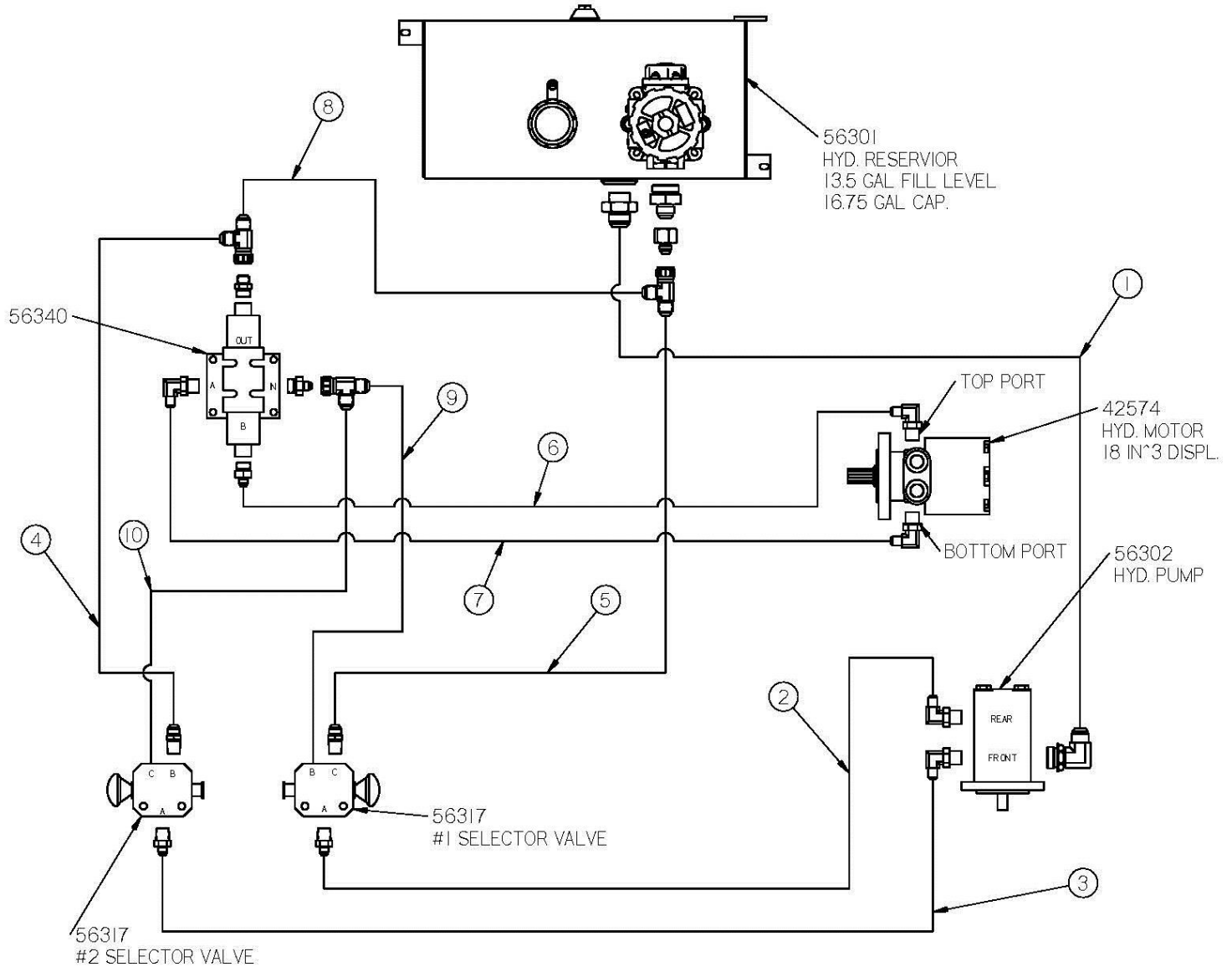


Figure 8.7 Hydraulic Schematic (P/N 26565)

Chapter 8 Troubleshooting

8.13 RTD Sensor Ohms vs. Temperature

Table 8.15 below shows what the ohm reading should be for a given temperature. The following are the instructions for using the table.

1. Measure the resistance (ohms) of the sensor in question with an ohm meter.
2. Find the reading in the chart (columns 0 through 9).
3. Follow the row to the left and get the temperature in 10°F increments, then follow the column up to get the 1°F increment. (For example, 1391 Ohms = 215°F)

Table 8-15 RTD Sensor Ohms vs. Temperature

°F	0	1	2	3	4	5	6	7	8	9
0	930.3	932.5	934.7	936.9	939.1	941.3	943.4	945.6	947.8	950.0
10	952.2	954.3	956.5	958.7	960.9	963.0	965.2	967.4	969.6	971.8
20	973.9	976.1	978.3	980.5	982.6	984.8	987.0	989.1	991.3	993.5
30	995.7	997.8	1000.0	1002.2	1004.3	1006.5	1008.7	1010.9	1013.0	1015.2
40	1017.4	1019.5	1021.7	1023.9	1026.0	1028.2	1030.4	1032.5	1034.7	1036.9
50	1039.0	1041.2	1043.4	1045.5	1047.7	1049.8	1052.0	1054.2	1056.3	1058.5
60	1060.7	1062.8	1065.0	1067.1	1069.3	1071.5	1073.6	1075.8	1077.9	1080.1
70	1082.2	1084.4	1086.6	1088.7	1090.9	1093.0	1095.2	1097.3	1099.5	1101.6
80	1103.8	1106.0	1108.1	1110.3	1112.4	1114.6	1116.7	1118.9	1121.0	1123.2
90	1125.3	1127.5	1129.6	1131.8	1133.9	1136.1	1138.2	1140.4	1142.5	1144.7
100	1146.8	1149.0	1151.1	1153.2	1155.4	1157.5	1159.7	1161.8	1164.0	1166.1
110	1168.3	1170.4	1172.5	1174.7	1176.9	1179.0	1181.1	1183.3	1185.4	1187.5
120	1189.7	1191.8	1194.0	1196.1	1198.2	1200.4	1202.5	1204.6	1206.8	1208.9
130	1211.0	1213.2	1215.3	1217.5	1219.6	1221.7	1223.9	1226.0	1228.1	1230.3
140	1232.4	1234.5	1236.7	1238.9	1240.9	1243.0	1245.2	1247.3	1249.4	1251.6
150	1253.7	1255.8	1258.0	1260.1	1262.2	1264.3	1266.5	1268.6	1270.7	1272.8
160	1275.0	1277.1	1279.2	1281.3	1283.5	1285.6	1287.7	1289.8	1292.0	1294.1
170	1296.2	1298.3	1300.4	1302.6	1304.7	1306.8	1308.9	1311.0	1313.2	1315.3
180	1317.4	1319.5	1321.6	1323.8	1325.9	1328.0	1330.1	1332.2	1334.3	1336.5
190	1338.6	1340.7	1342.8	1344.9	1347.0	1349.1	1351.2	1353.4	1355.5	1357.6
200	1359.7	1361.8	1363.9	1366.0	1368.1	1370.2	1372.4	1374.5	1376.6	1378.7
210	1380.8	1382.9	1385.0	1387.1	1389.2	1391.3	1393.4	1395.5	1397.6	1399.7
220	1401.8	1403.9	1406.0	1408.1	1410.3	1412.4	1414.5	1416.6	1418.7	1420.8
230	1422.9	1425.0	1427.1	1429.2	1431.3	1433.4	1435.5	1437.6	1439.6	1441.7
240	1443.8	1445.9	1448.0	1450.1	1452.2	1454.3	1456.4	1458.5	1460.6	1462.7
250	1464.8	1466.9	1469.0	1471.1	1473.2	1475.3	1477.3	1479.4	1481.5	1483.6
260	1485.7	1487.8	1489.9	1492.0	1494.1	1496.1	1498.2	1500.3	1502.4	1504.5

Chapter 8 Troubleshooting

Table 8-15.1 RTD Sensor Ohms vs. Temperature (continued)

°F	0	1	2	3	4	5	6	7	8	9
270	1506.6	1508.7	1510.8	1512.8	1514.9	1517.0	1519.1	1521.2	1523.3	1525.3
280	1527.4	1529.5	1531.6	1533.7	1535.7	1537.8	1539.9	1542.0	1544.1	1546.1
290	1548.2	1550.3	1552.4	1554.5	1556.5	1558.6	1560.7	1562.8	1564.8	1566.9
300	1569.0	1571.1	1573.1	1575.2	1577.3	1579.4	1581.4	1583.5	1585.6	1587.7
310	1589.7	1591.8	1593.9	1595.9	1598.0	1600.1	1602.2	1604.2	1606.3	1608.4
320	1610.4	1612.5	1614.6	1616.6	1618.7	1620.8	1622.8	1624.9	1627.0	1629.0
330	1631.1	1633.2	1635.2	1637.3	1639.3	1641.4	1643.5	1645.5	1647.6	1649.7
340	1651.7	1653.8	1655.8	1657.9	1660.0	1662.0	1664.1	1666.1	1668.2	1670.2
350	1672.3	1674.4	1676.4	1678.5	1680.5	1682.6	1684.6	1686.7	1688.7	1690.8
360	1692.9	1694.9	1697.0	1699.0	1701.1	1703.1	1705.2	1707.2	1709.3	1711.3
370	1713.4	1715.4	1717.5	1719.5	1721.6	1723.6	1725.7	1727.7	1729.8	1731.8
380	1733.9	1735.9	1737.9	1740.0	1742.0	1744.1	1746.1	1748.2	1750.2	1752.3
390	1754.3	1756.3	1758.4	1760.4	1762.5	1764.5	1766.6	1768.6	1770.6	1772.7
400	1774.7	1776.8	1778.8	1780.8	1782.9	1784.9	1786.9	1789.0	1791.0	1793.1
410	1795.1	1797.1	1799.2	1801.2	1803.2	1805.3	1807.3	1809.3	1811.4	1813.4
420	1815.4	1817.5	1819.5	1821.5	1823.6	1825.6	1827.6	1829.6	1831.7	1833.7
430	1835.7	1837.8	1839.8	1841.8	1843.8	1845.9	1847.9	1849.9	1851.9	1854.0
440	1856.0	1858.0	1860.0	1862.1	1864.1	1866.1	1868.1	1870.2	1872.2	1874.2
450	1876.2	1878.2	1880.3	1882.3	1884.3	1886.3	1888.3	1890.4	1892.4	1894.4
460	1896.4	1898.4	1900.5	1902.5	1904.5	1906.5	1908.5	1910.5	1912.6	1914.6
470	1916.6	1918.6	1920.6	1922.6	1924.6	1926.6	1928.7	1930.7	1932.7	1934.7
480	1936.7	1938.7	1940.7	1942.7	1944.7	1946.8	1948.8	1950.8	1952.8	1954.8
490	1956.8	1958.8	1960.8	1962.8	1964.8	1966.8	1968.8	1970.8	1972.8	1974.8
500	1976.8	1978.8	1980.8	1982.9	1984.9	1986.9	1988.9	1990.9	1992.9	1994.9
510	1996.9	1998.9	2000.9	2002.9	2004.9	2006.9	2008.8	2010.8	2012.8	2014.8
520	2016.8	2018.8	2020.8	2022.8	2024.8	2026.8	2028.8	2030.8	2032.8	2034.8
530	2036.8	2038.8	2040.8	2042.8	2044.7	2046.7	2048.7	2050.7	2052.7	2054.7
540	2056.7	2058.7	2060.7	2062.7	2064.6	2066.6	2068.6	2070.6	2072.6	2074.6
550	2076.6	2078.5	2080.5	2082.5	2084.5	2086.5	2088.5	2090.4	2092.4	2094.4

Chapter 9 Illustrated Parts List

9.0 About the Illustrated Parts List

The Illustrated Parts List (IPL) is designed to help technical service or maintenance personnel correctly identify orderable replacement parts.

The figure and table titles reference the part number (PN) to which they apply. The PN's for each of the Patcher I models are as follows:

Patcher I Skid Mount- PN 56900

Optional Trailer to mount the Patcher I on top of- PN 56202

Illustrations and pictures are designed to show general shape and size of a part and the relationship that part has to other parts. Actual size and shape of parts or components may differ or vary from the actual part or component.

9.1 Ordering Crafco Parts

Crafco distributors and Crafco Pavement Preservation Supply Centers are strategically located throughout the United States. Parts can be ordered from your local Crafco distributor or directly from Crafco, Inc. if a distributor is not available in your area.

When ordering parts, give the following information:

- Part Number
- Machine Model
- Serial Number

Write, call, or Fax Crafco, Inc. at the following:

Crafco, Inc. Headquarters

6165 West Detroit Street.

Chandler, AZ 85226

Phone: (602) 276-0406

Toll Free: (800) 528-8242

Fax: (480) 961-0513

Visit our website at www.crafco.com

Chapter 9 Illustrated Parts List

9.2 Patcher I Parts List

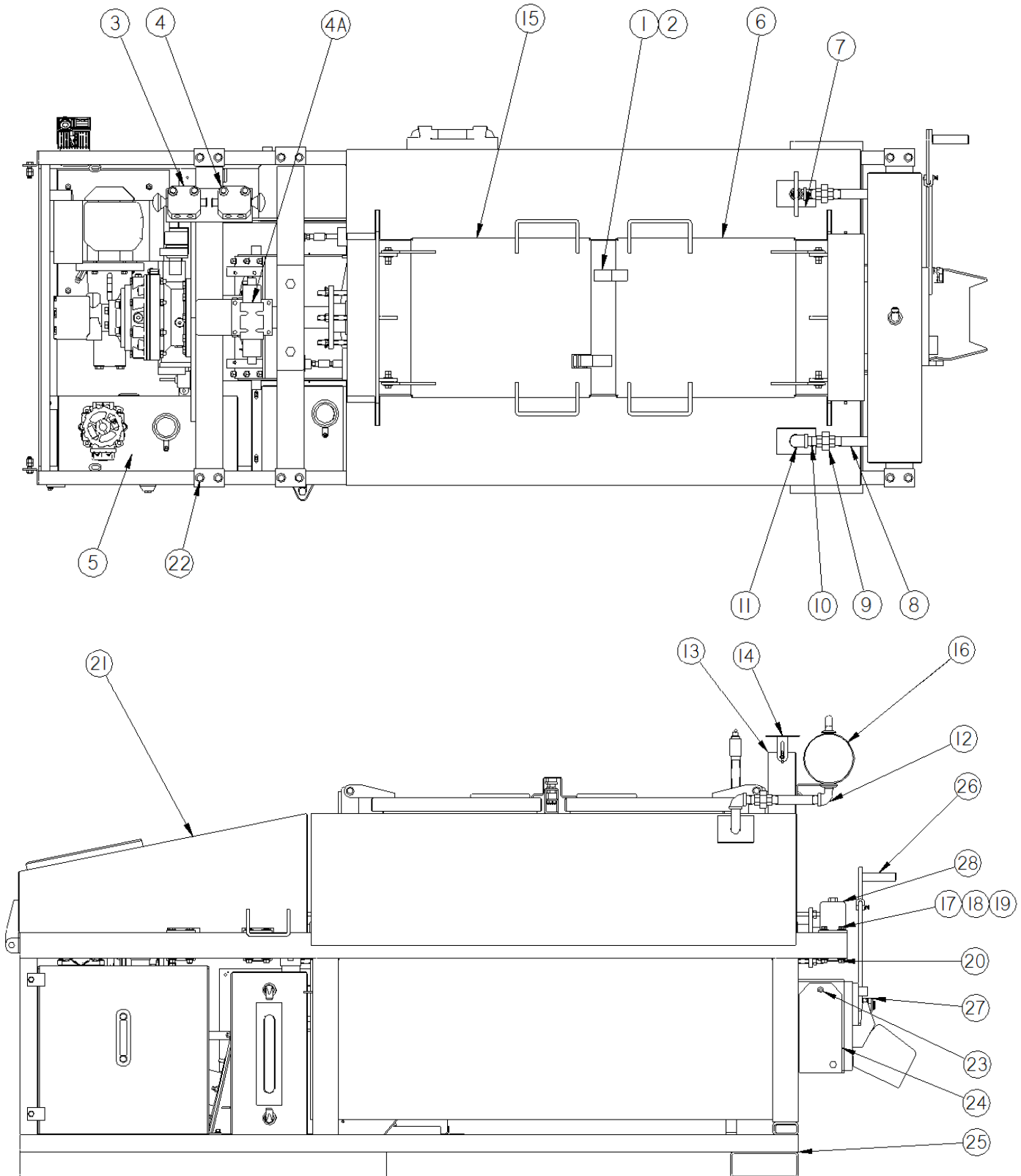


Figure 9.1 Top and Side View

Chapter 9 Illustrated Parts List

Table 9-1 Top and Side View Parts List

FIG.	ITEM	PART NUMBER	QTY	DESCRIPTION
Fig. 9.1	1	39608	2	SWITCH - SAFETY (IF EQUIPPED)
	2	56362	2	BRACKET - SWITCH
	3	56317	2	SELECTOR VALVE
	4	28735	4	BOLT, HEX 3/8-16 X 2
	4A	56340	1	HYDRAULIC VALVE
	5	56310	1	HYD TANK ASSEMBLY
	6	56237	1	TANK LID ASSEMBLY
	7	56330	2	COVER, OVERFLOW PIPE
	8	28071	2	3/4" X 6" PIPE NIPPLE
	9	28329	2	3/4" PIPE UNION
	10	28004	2	3/4" CLOSE NIPPLE
	11	28209	1	3/4" 90 DEG. ELBOW
	12	28239	2	3/4" ELBOW
	13	56270	1	EXHAUST DUCT ASSEMBLY
	14	56797	1	VENT COVER ASSY
	15	56370	1	MODIFIED LID ASSEMBLY
	16	56252	1	OVERFLOW TANK ASSEMBLY
	17	56293	2	BEARING, PILLOW BLOCK - 60 MM
	18	28648	21	7/16" LOCK WASHER
	19	28745	10	7/16"-14 X 4" BOLT
	20	28503	33	NUT, HEX HEAD 7/16"-14
	21	56325	1	HOOD ASSEMBLY
	22	28756	2	7/16"-14 X 4-1/2" BOLT
	23	28502	10	NUT, HEX HEAD 3/8-16
	24	56350	1	TORCH ACCESS DOOR ASSEMBLY
	25	56905	1	FRAME PATCHER I DIESEL
	26	56359	1	DOOR SWING GATE ASSEMBLY
	27	28520	2	1"-8 JAM NUT
28	56240	2	BEARING SUPPORT ASSEMBLY	

Chapter 9 Illustrated Parts List

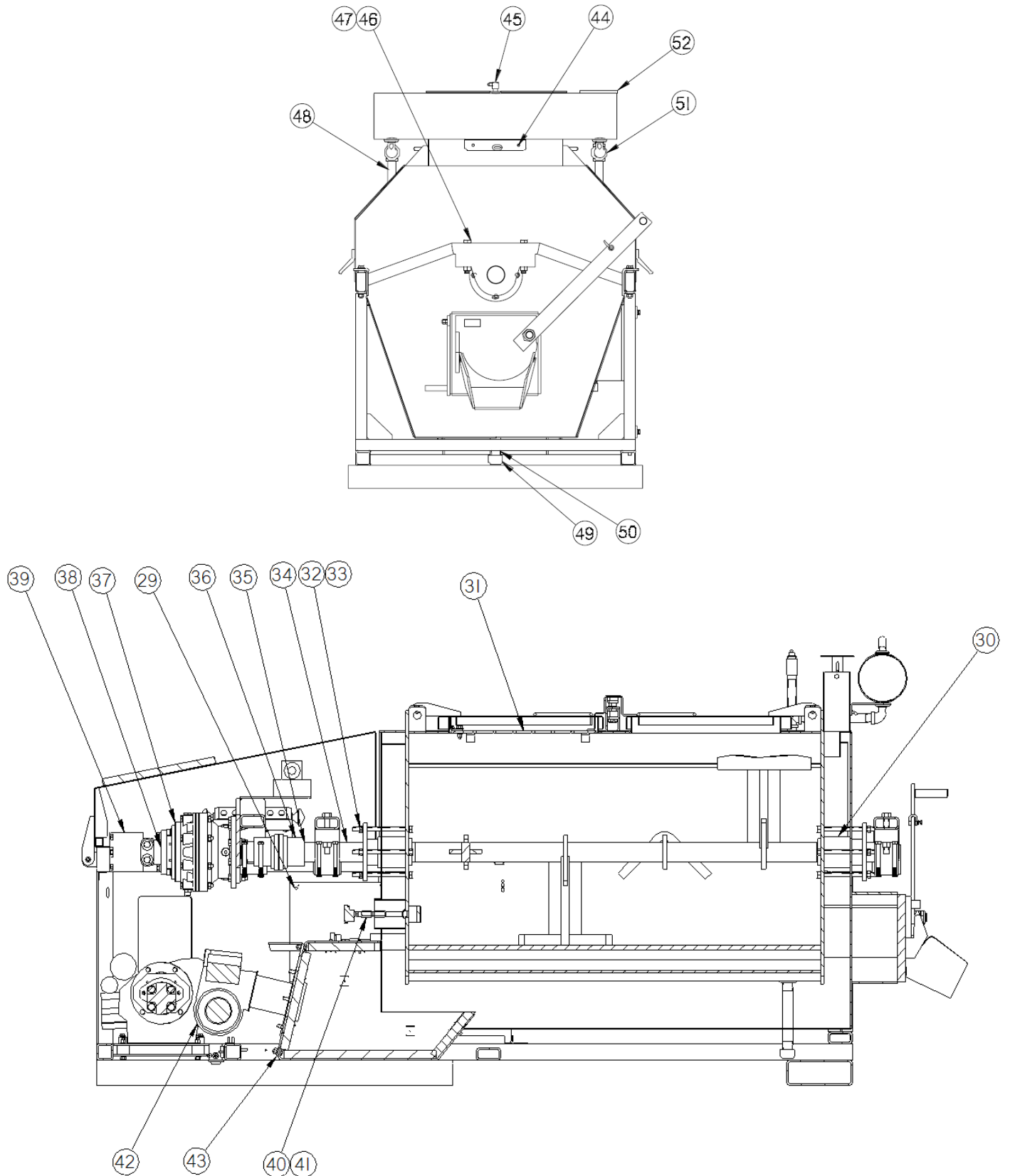


Figure 9.2 Rear and Section View

Chapter 9 Illustrated Parts List

Table 9-2 Rear and Section View Parts List

FIG.	ITEM	PART NUMBER	QTY	DESCRIPTION
Fig. 9.2	29	56288	1	PLATE, CONTROL MOUNTING
	30	32226	2	MIXER GLAND PACKING
	31	56365	1	GRID ASSEMBLY
	32	28504	8	1/2"-13 HEX NUT
	33	56290	2	PACKING GLAND ASSEMBLY
	34	56903	1	TANK, ASSY PATCHER I DIESEL
	35	56332	1	KEY-18MM X 11MM X 90MM LONG
	36	56334	1	COUPLING HALF - GEAR BOX
	37	56203	1	6-1 GEARBOX ASSEMBLY
	38	56244	1	ADAPTER COUPLING GEAR BOX (HYD.)
	39	42574	1	MIXER MOTOR
	40	28001	1	1/4" CLOSE NIPPLE
	41	28176	2	1/4" COUPLING
	42	46380	1	BURNER ASSEMBLY
	43	43110	1	ANGLED DIESEL BURNER BOX
	44	56255	1	ANGLE, OVERFLOW TANK SUPPORT
	45	29845	1	90 DEG. ELBOW
	46	28541	4	5/8"-11 UPSET LOCKNUT
	47	28782	4	5/8"-11 X 4" BOLT
	48	56264	2	NIPPLE, 3/4 X 13 LONG
	49	28270	1	1" PIPE CAP
	50	28101	1	1" X 8" PIPE NIPPLE
51	28254	1	3/4 NPT TEE	
52	56326	1	H.O. DIPSTICK ASSEMBLY	

Chapter 9 Illustrated Parts List

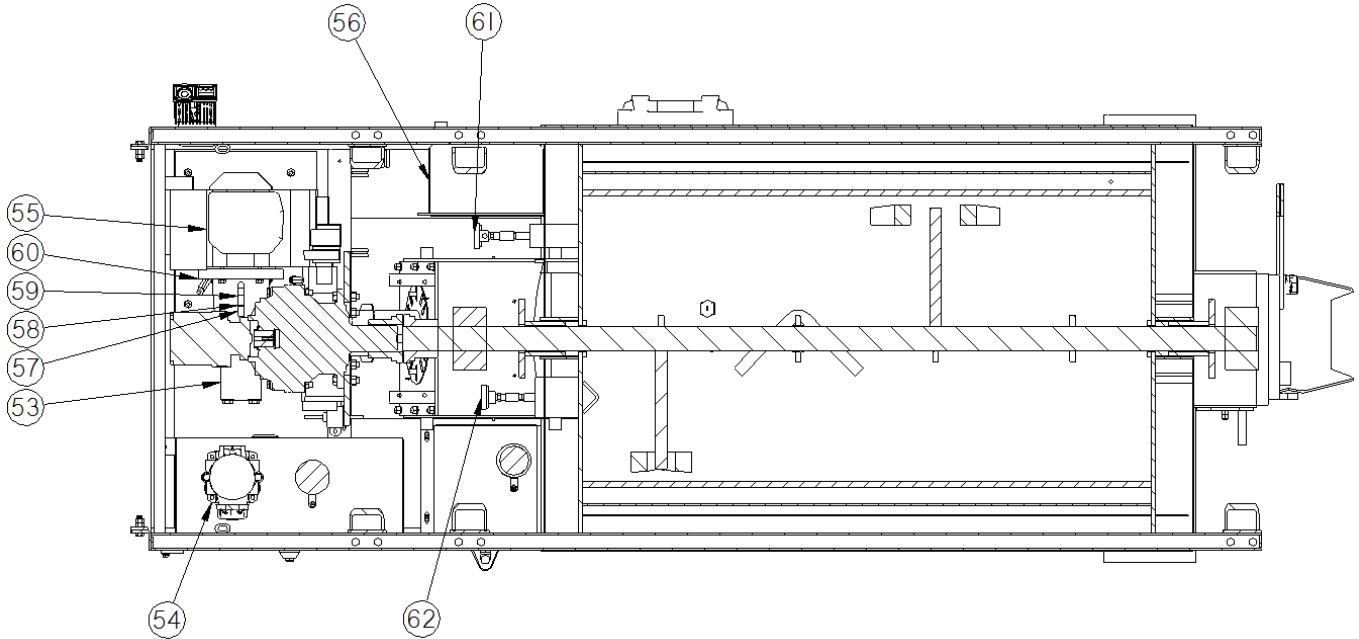


Figure 9.3 Top Section View

Table 9-3 Top Section View

FIG.	ITEM (Not Shown)	PART NUMBER	QTY	DESCRIPTION
Fig.9.3	53	56302	1	HYDRAULIC PUMP
	54	45498	1	HYDRAULIC FILTER ASSEMBLY HOUSING
	55	56941	1	ENGINE, KOHLER 9.1 HP
	56	56715	1	CONTROL BOX ASSEMBLY
	57	44829	1	COUPLING HALF 1"
	58	44830	1	SPIDER FOR COUPLING
	59	56303	1	COUPLING HALF
	60	44806	1	ADAPTER, PUMP MOUNT
	61	43465	1	RTD SENSOR - 18" STEM
	62	55120	1	RTD SENSOR - 2" STEM
	NS	32243	1	IRON
	NS	32246	1	SCRAPER
	NS	32276	1	TOOL HEATER BOX
	NS	32263	1	BUCKET
NS	32258	1	TANK SCRAPER	

Chapter 9 Illustrated Parts List

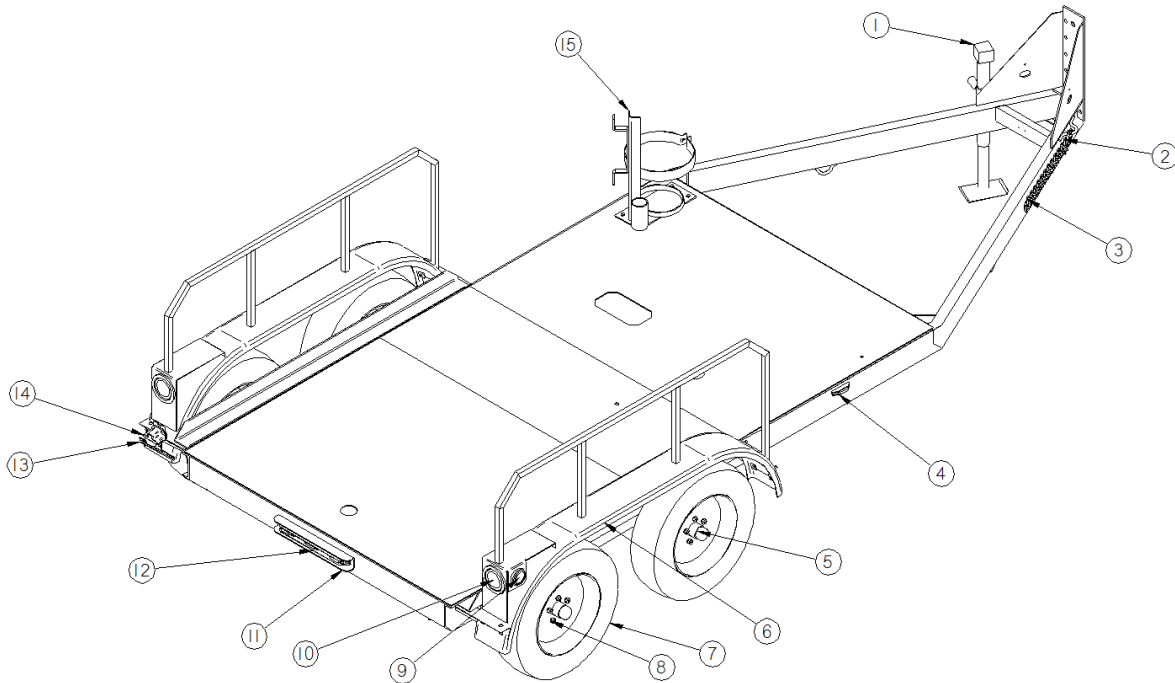


Figure 9.4 Optional Trailer Assembly (P/N 56202)

Table 9-4 Optional Trailer Assembly

FIG.	ITEM	PART NUMBER	QTY	DESCRIPTION
Fig. 9.4	1	23082	1	5000# TONGUE JACK 15"
	2	20132	2	SHACKLE CONNECTING LINK
	3	40122	2	CHAIN- 5/16 X 48" LONG
	4	32365	2	YELLOW CLEARANCE MARKER
	5	44114	2	TORSIONAL AXLE
	6	41088	2	FENDER (7 1/2" X 66")
	7	44341	2	TIRE W/BLK RIM ST205/75 R14
	8	23130	20	LUG NUT
	9	44772	2	2 1/2" RED SIDE MARKER
	10	32363	2	RED STT LAMP KIT
	11	46310	1	GUARD, REAR LED LIGHT
	12	32371	1	RED 6" CENTER LED KIT
	13	26099	1	LICENSE PLATE HOLDER
	14	44797	1	LED LICENSE PLATE LAMP
	15	57754	1	PROPANE TORCH MNT, PATCHER II

Chapter 9 Illustrated Parts List

9.3 Hydraulic Schematic and Parts List

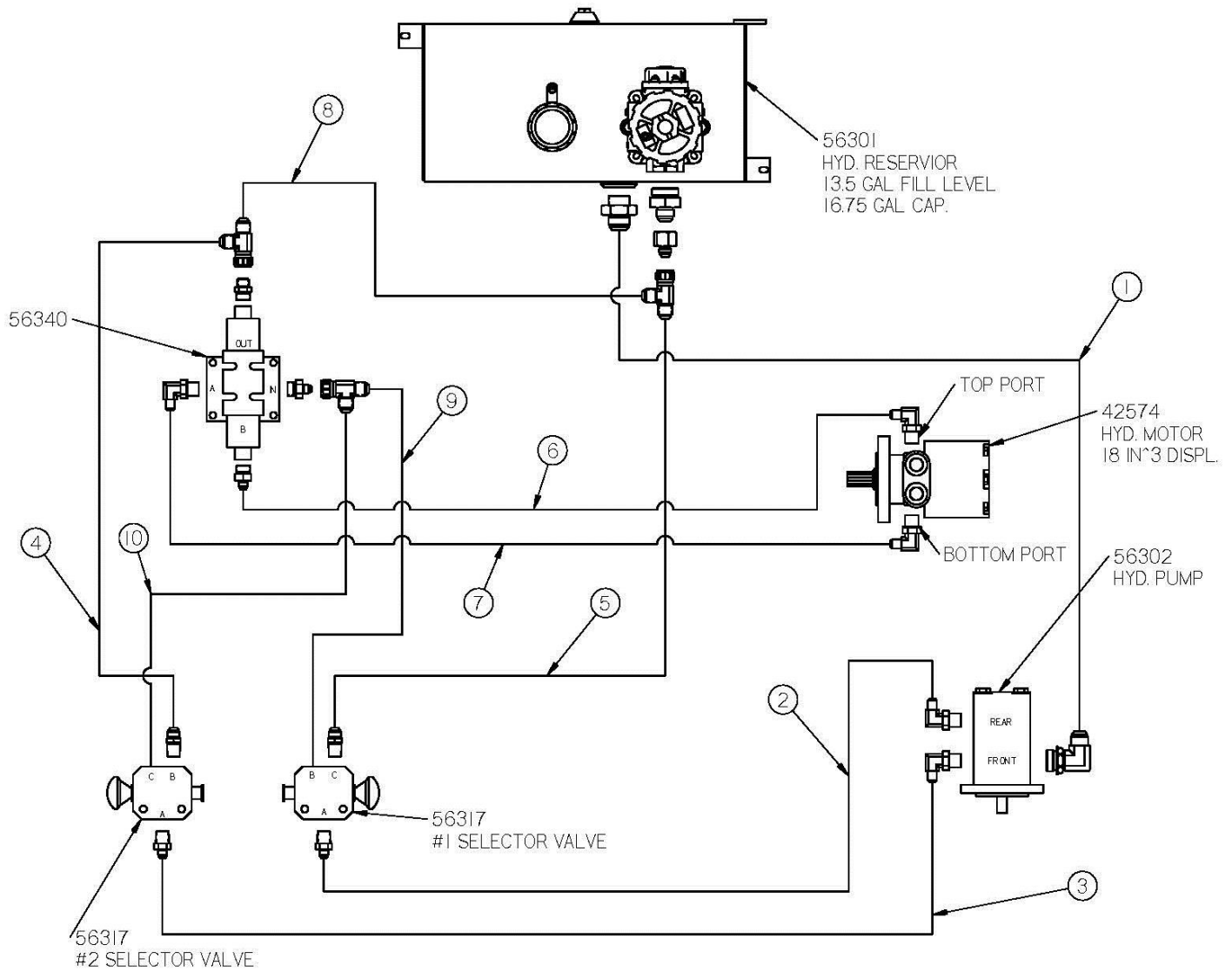


Figure 9.5 Hydraulic Schematic (P/N 26565)

Chapter 9 Illustrated Parts List

Table 9-5 Hydraulic Parts List

FIG	ITEM	PART NO.	DESCRIPTION	QTY
Fig.9.5	1. HYDRAULIC RESERVOIR TO HYDRAULIC PUMP (SUCTION)			
		29901	#12JIC X #16 MP STR ADAPTER	1
		12G4H 12G-12FJX 12G-12FJX90S 29 24.5	SUCTION HOSE	1
		29978	#12 TUBE X #16 O-RING-90°ADAPTOR	1
	2. HYDRAULIC PUMP "REAR PORT" TO SELECTOR VALVE #1			
		29828	#10 O-RING X #6 JIC 90° FITTING	1
		6M3K 6G-6FJX 6G-6FJX90S 36 32.75	3/8 X 36" HYDRAULIC HOSE	1
		29841	FITTING, STRAIGHT MALE 6MJ X 8MP	1
	3. HYDRAULIC PUMP "FRONT PORT" TO SELECTOR VALVE #2			
		29828	90° O-RING ADAPTER	1
		6M3K 6G-6FJX 6G-6FJX90S 34 30.75	3/8 X 34" HYDRAULIC HOSE	1
		29841	#8 MP X #6 JIC STR ADAPTER	1
	4. SELECTOR VALVE #2 TO OUTLET PORT HYDRAULIC VALVE			
		29844	#8 MP X #8 JIC STR ADAPTER	1
		8M3K 8G-8FJX 8G-8FJX 23 20	1/2 X 23" HYDRAULIC HOSE	1
		29865	#8 X #8 X #8MP "RUN TEE"	1
		29913	#10 O-RING X #8 JIC STR ADAPTER	1
	5. SELECTOR VALVE #1 TO HYDRAULIC RESERVOIR (RETURN)			
		29844	#8 MP X #8 JIC STR ADAPTER	1
		8M3K 8G-8FJX90S 8G-8FJX 26 22.5	1/2 X 26" HYDRAULIC HOSE	1
		29865	#8 X #8 X #8MP "RUN TEE"	1
		29991	3/4 TUBE X 1 1/4" O-RING	1
		29816	1/2 TUBE X 3/4" TUBE REDUCER	1
6. HYDRAULIC VALVE "B" PORT TO HYDRAULIC MOTOR TOP PORT				
	22029	#10 O-RING X #6 JIC STR ADAPTER	1	
	6M3K 6G-6FJX 6G-6FJX90S 22 18.75	3/8 X 22" HYDRAULIC HOSE	1	
	29828	5/8 O-RING X 3/8 TUBE 90° ADAPTOR	1	

Chapter 9 Illustrated Parts List

Table 9-6 Hydraulic Parts List (continued)

FIG	ITEM	PART NO.	DESCRIPTION	QTY
Fig. 9.5	7.	HYDRAULIC VALVE "A" PORT TO HYDRAULIC MOTOR BOTTOM PORT		
		29828	5/8 O-RING X 3/8 TUBE 90° ADAPTOR	1
		6M3K 6G-6FJX 6G-6FJX90L 27 24	3/8 X 27" HYDRAULIC HOSE	1
		29828	5/8 O-RING X 3/8 TUBE 90° ADAPTOR	1
	8.	HYDRAULIC VALVE OUTLET TO HYDRAULIC RESERVOIR (RETURN)		
		8M3K 8G-8FJX90S 8G-8FJX90S 24 20.5	1/2 X 24" HYDRAULIC HOSE	1
	9.	SELECTOR VALVE #1 TO HYDRAULIC VALVE INLET		
		6M3K 6G-6FJX 6G-8MP 18 15.25	3/8 X 18" HYDRAULIC HOSE	1
	10.	SELECTOR VALVE #2 TO HYDRAULIC VALVE INLET		
		6M3K 6G-6FJX 6G-8MP 18 15.25	3/8 X 18" HYDRAULIC HOSE	1
		29866	SWIVEL NUT RUN "T" #6	1
		22029	#10 O-RING X #6 JIC STR ADAPTER	1

Chapter 9 Illustrated Parts List

This page was intentionally left blank

Chapter 9 Illustrated Parts List

9.4 Diesel Burner Parts List

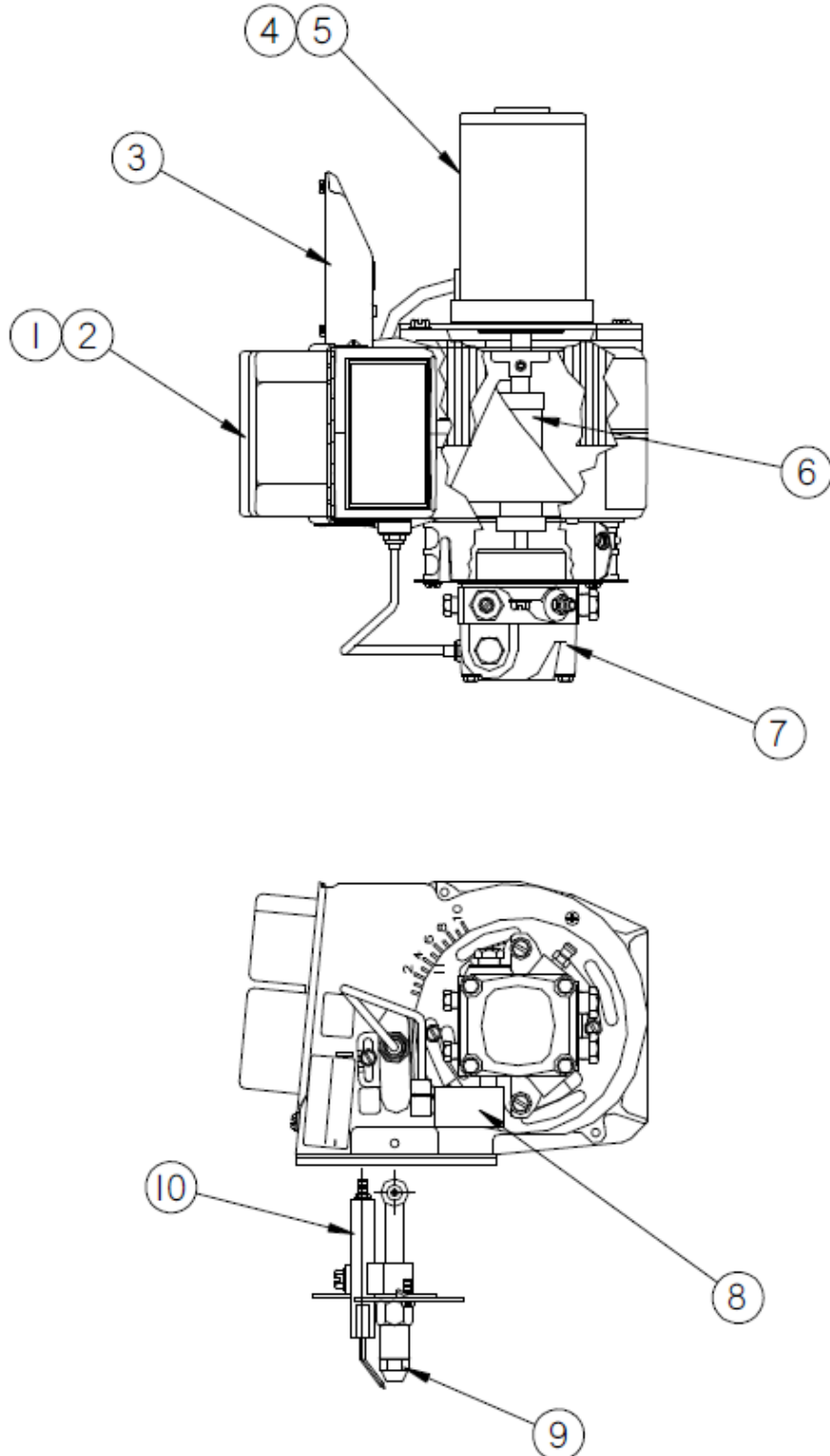


Figure 9.6 Diesel Burner

Chapter 9 Illustrated Parts List

Table 9-7 Diesel Burner Parts List

FIG.	ITEM	PART NUMBER	QTY	DESCRIPTION
Fig. 9.6	1	41949	1	IGNITION TRANSFORMER
	2	41870	1	CAD EYE (NOT SHOWN)
	3	42335	1	DC CONTROLLER
	4	41890	1	BLOWER MOTOR
	5	41934	1	BRUSH KIT FOR BLOWER (BEFORE 2002)
	6	41970	1	COUPLING FUEL PUMP
	7	41892	1	PUMP FUEL
	8	41888	1	SOLENOID FUEL
	9	41883	1	BURNER NOZZLE
	10	41993	1	ELECTRODE

Chapter 9 Illustrated Parts List

9.5 Control Box Parts List

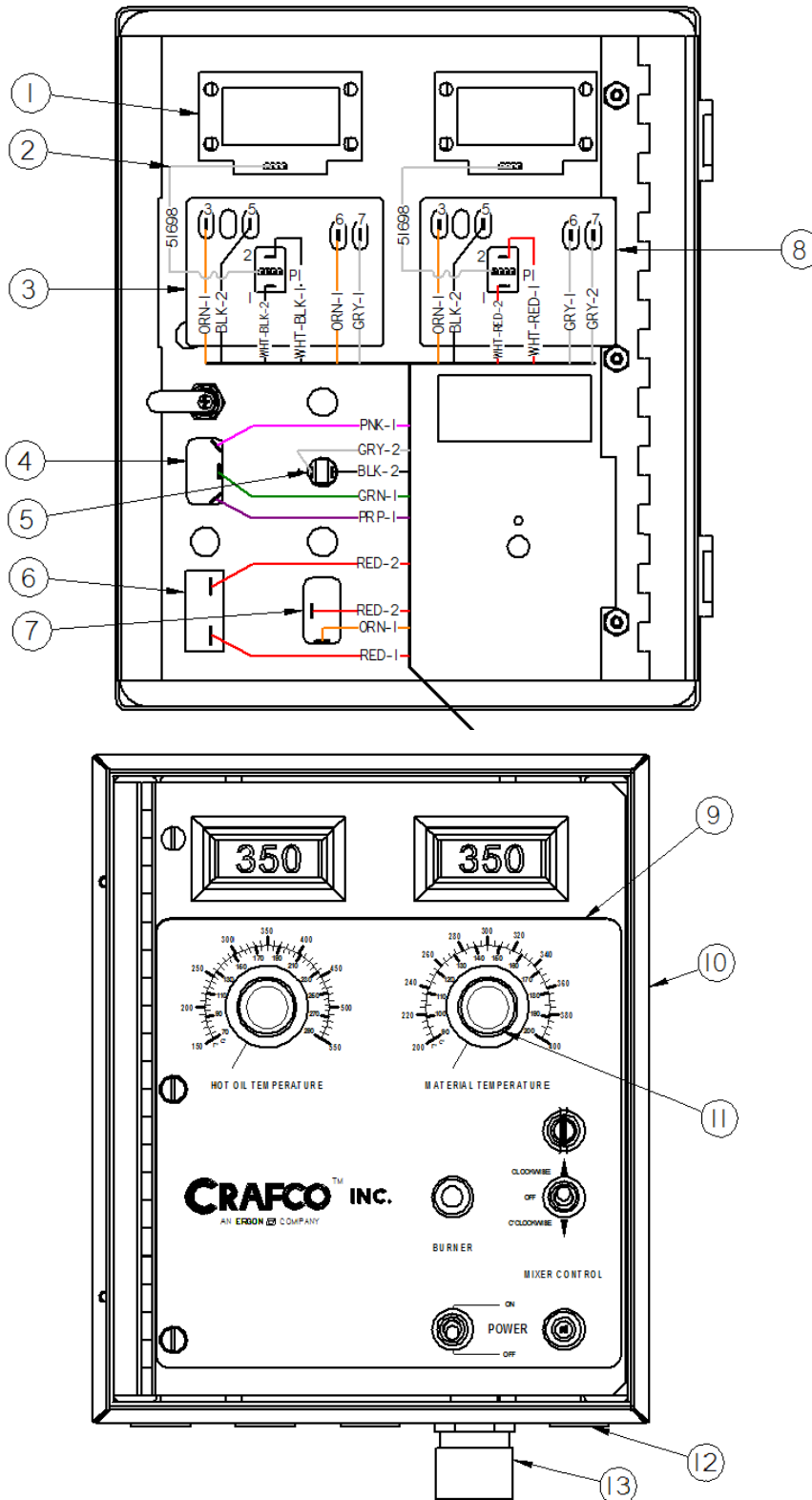


Figure 9.7 Control Box Parts List

Chapter 9 Illustrated Parts List

Table 9-8 Control Box Parts List

FIG.	ITEM	PART NUMBER	QTY	DESCRIPTION
Fig. 9.7	1	50251	2	READOUT, LCD
	2	51698	2	CABLE, 5" RIBBON
	3	43397	1	TEMP CONTROLLER (P64A0918-904)
	4	56351	1	SWITCH, 3 POLE
	5	51651	1	LIGHT, PILOT 12VDC
	6	51665	1	CIRCUIT BREAKER
	7	50719	1	SWITCH, TOGGLE SPST
	8	43391	1	TEMP CONTROLLER (P64A0918-903)
	9	25419	1	DECAL, CONTROL BOX PATCHERS
	10	44860	1	ENCLOSURE
	11	50593	2	CONTROL KNOB
	12	24270	4	PLUG, 7/8" HOLE
	13	40446	1	CORD CONNECTOR

Chapter 10 Tools and Accessories

10.0 Tools and Accessories

Patching Tools



CrafcO Ironing Wand w/ 4 ft. 6 in. handle
PN# 32243

Used as a leveling and a warming tool for the proper application of TechCrete.

CrafcO Chute Scrapper w/ 2 ft. handle
PN# 32246

Used for cleaning the chute on the Patcher I and Patcher II.

CrafcO Tank Scrapper w/ 6 ft. handle

Used for cleaning the Patcher I and Patcher II tanks.

CrafcO Shoebox w/ 6 ft. Handle

PN# 32350 - 8"x 8"x 3"	PN# 32255 - 8"x 8"x 6"
PN# 32351 - 8"x 10"x 3"	PN# 32250 - 8"x 10"x 6"
PN# 32352 - 8"x 12"x 3"	PN# 32252 - 8"x 12"x 6"
PN# 32353 - 8"x 14"x 3"	PN# 32253 - 8"x 14"x 6"

Used for assisting placement of PolyPatch. Use the size suitable for your application. Fill using the Material Handler or TechCrete Bucket.

Lance / Torches



CrafcO Hand Torch
PN# 25012 - 20 ft. Hose
PN# 25016 - 12 ft. Hose
PN# 25021 - 50 ft. Hose
Used on the E-Z Pour 50, Patcher I and Patcher II.



CrafcO Cold Air Lance
PN# 42648

Use this tool in conjunction with an air compressor to blow cracks and joints clean.



CrafcO Heat Lance
PN# 45650
Requires air compressor and propane supply. Features Auto ignition and includes moisture trap, regulator and 40 ft.



CrafcO Heat Lance w/ Regulator
PN# 32259

Use to dry out, heat and clean cracks. Requires air compressor and propane supply. Includes regulator and 20 ft. hose.

Chapter 10 Tools and Accessories



**Crafcoco Heavy Duty Squeegee
w/Aluminum Handle**

PN# 27199

Crafcoco Replacement Blade PN# 27195
4 in. x 18 in. x 3/8 in.

**Crafcoco Heavy Duty Compact
Squeegee w/Wood or Aluminum
Handle**

PN# 27245

PN#2745W (Wood Handle)

Crafcoco Replacement Blade PN# 27241
2 ½ in. x 17 in. x 3/8 in.



Crafcoco TechCrete Bucket
PN # 32263

For transporting TechCrete or
PolyPatch material from the
Patcher I or Patcher II to the
repair area.



Crafcoco Hot Mastic Applicator

PN# 57650

For handling and distributing of
patching materials from the
Patcher I or Patcher II to the
repair area. Propane heated
with material side discharge
gate.



©2016 Crafco, Inc.